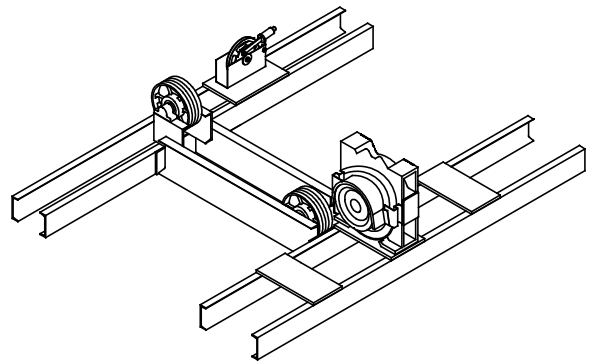


- NOTES:  
 1) HOISTWAY DIMENSIONS ARE MINIMUM CLEAR INSIDE DIMENSIONS.  
 2) FOR SEISMIC ZONES 2 AND UP, ADD 4" TO HOISTWAY WIDTH.



## HOISTWAY PLAN

## OVERHEAD MACHINE DETAIL

TRACTION MRL:  
 BLDG SUPPORTED  
 3500 LB SSSO (RH)

**NOT FOR CONSTRUCTION**

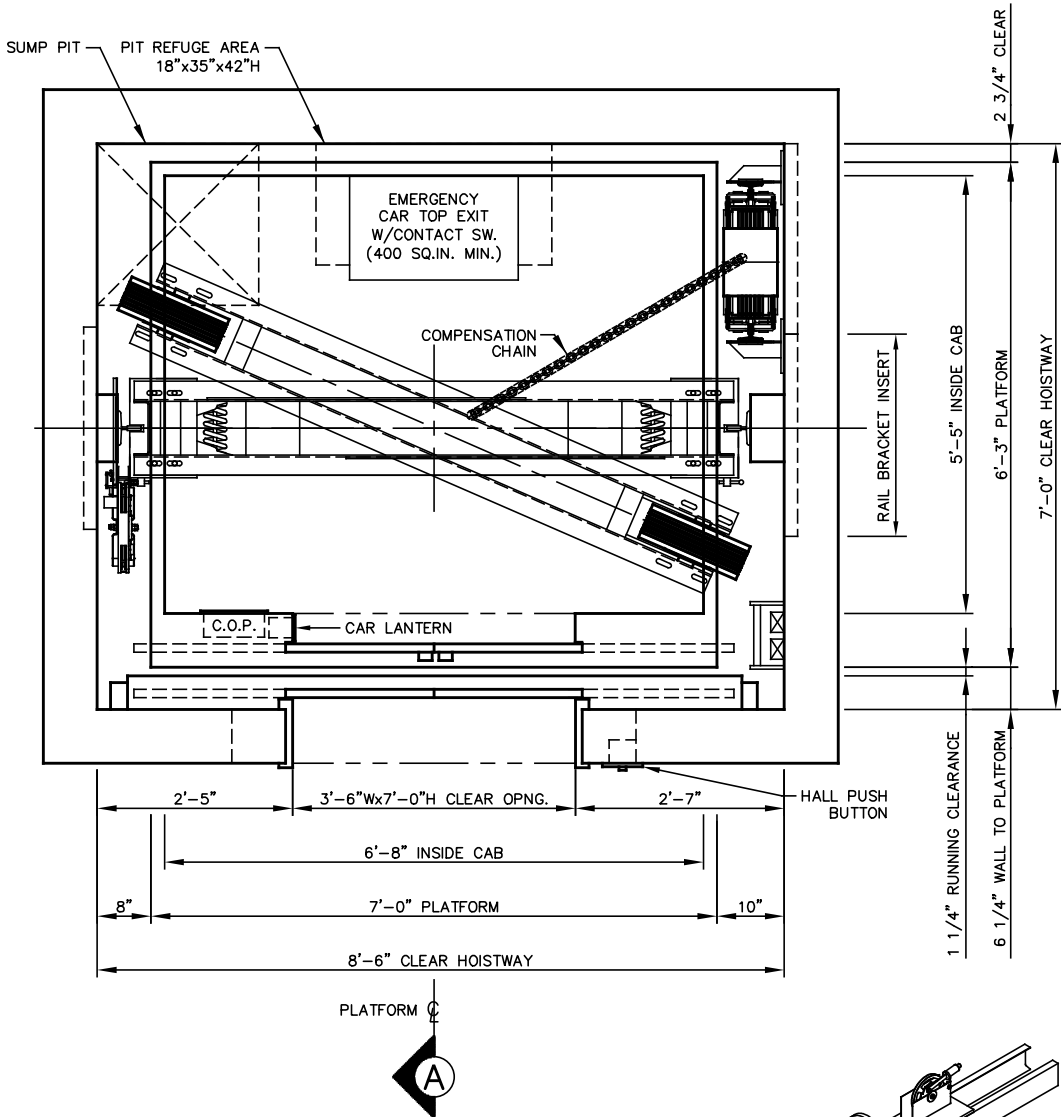
**ALLIANCE**  
 ELEVATOR SOLUTIONS

237 OREGON ST.  
 MERCERSBURG, PA 17236

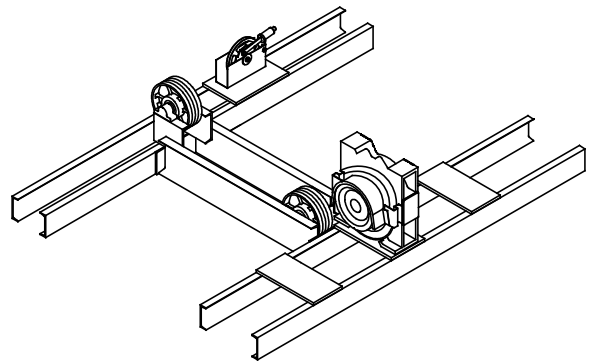
N.T.S.

1 OF 3

2020



- NOTES:
- 1) HOISTWAY DIMENSIONS ARE MINIMUM CLEAR INSIDE DIMENSIONS.
  - 2) FOR SEISMIC ZONES 2 AND UP, ADD 4" TO HOISTWAY WIDTH.



## HOISTWAY PLAN

## OVERHEAD MACHINE DETAIL

TRACTION MRL:  
BLDG SUPPORTED  
3500 LB SSC0

**NOT FOR CONSTRUCTION**

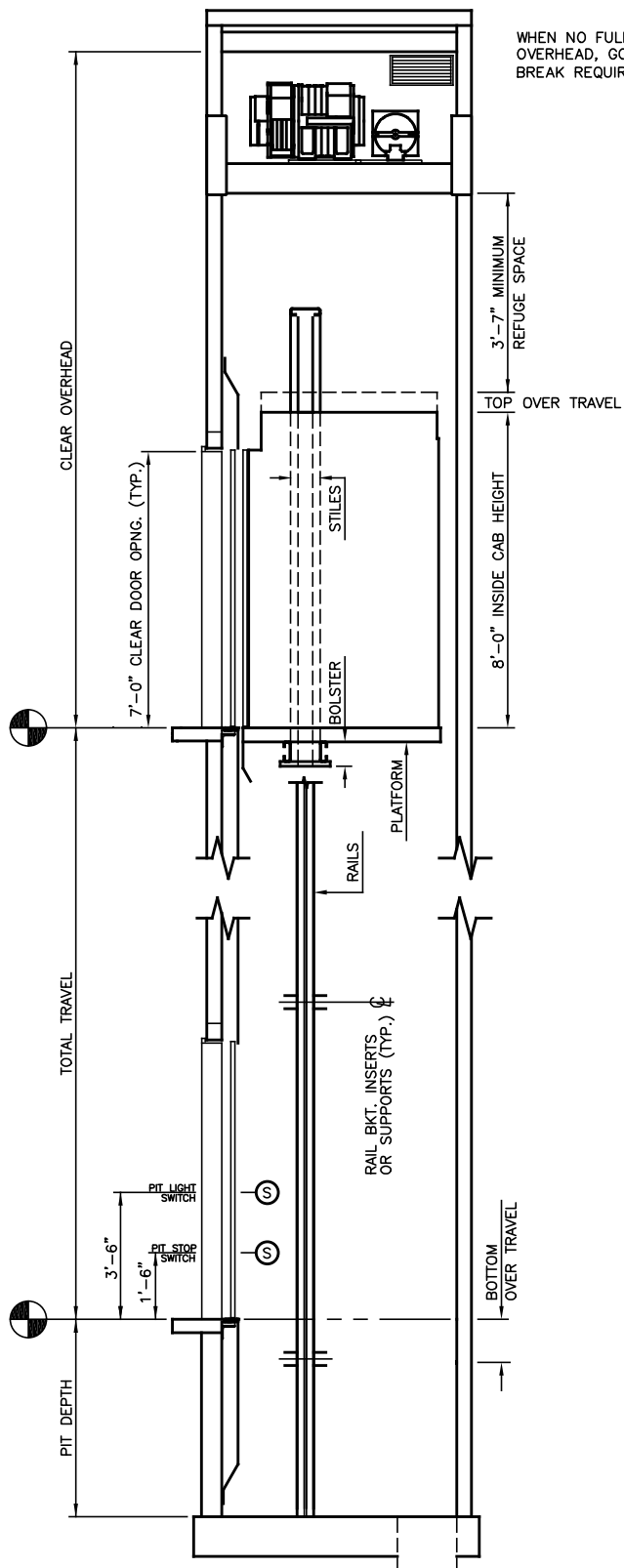
**ALLIANCE**  
ELEVATOR SOLUTIONS

237 OREGON ST.  
MERCERSBURG, PA 17236

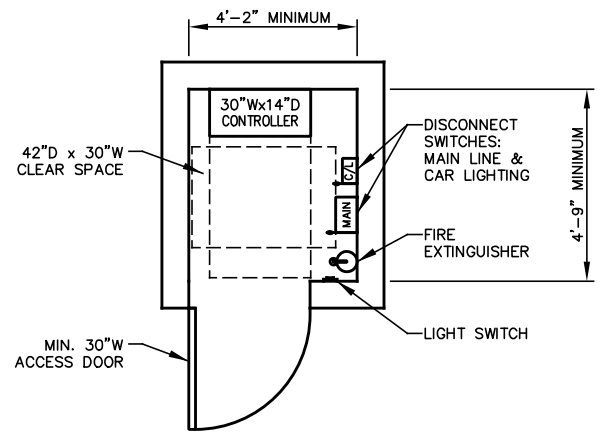
N.T.S.

2 OF 3

2020



WHEN NO FULLY BODY ENTRY INTO OVERHEAD, GOVERNOR AND MACHINE BREAK REQUIRE 24" x 24" ACCESS DOOR



# CONTROLLER ROOM

BY DEFAULT CONTROLLER ROOM IS LOCATED ON THE TOP LANDING ADJACENT TO THE HOISTWAY

**SECTION "A"**

**NOT FOR CONSTRUCTION**

PIT & OVERHEAD BASED ON CAR SPEED AND CAPACITY

SPEED (FPM)	PIT	CAPACITY (LB)				
		2100	2500	3000	3500	4000-5000
100	5'-0"	15'-6"	15'-6"	15'-11"	15'-11"	15'-8"
150	5'-0"	15'-6"	15'-6"	15'-11"	15'-11"	15'-8"
200	5'-0"	16'-0"	16'-0"	16'-0"	16'-0"	15'-9"
250	5'-6"	16'-1"	16'-1"	16'-1"	16'-1"	15'-10"
300	5'-6"	16'-2"	16'-2"	16'-2"	16'-2"	15'-11"
350	5'-6"	16'-8"	16'-8"	16'-8"	16'-8"	16'-5"
400*	5'-9"	16'-9"	16'-9"	16'-9"	16'-9"	16'-10"
450*	6'-3"	16'-10"	16'-10"	16'-10"	16'-10"	17'-0"
500*	6'-3"	17'-6"	17'-6"	17'-6"	17'-6"	17'-9"

NOTE: OIL BUFFERS REQUIRED FOR CAR SPEED ABOVE 200 FPM. SPRING BUFFERS MAY BE USED FOR 200 FPM AND BELOW.

\*FOR 4000-5000 LB CARS 3" ADDITIONAL PIT REQUIRED.

## ALLIANCE

ELEVATOR SOLUTIONS

237 OREGON ST.  
MERCERSBURG, PA 17236

N.T.S.	3 OF 3	2020
--------	--------	------