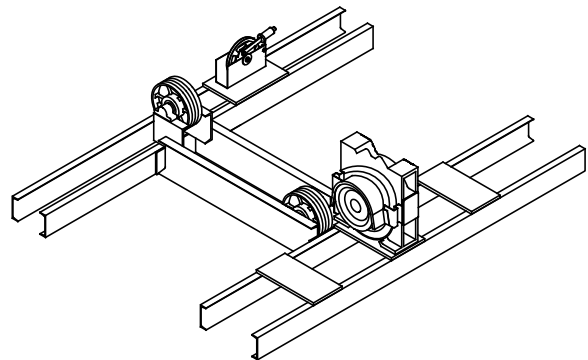


- NOTES:
- 1) HOISTWAY DIMENSIONS ARE MINIMUM CLEAR INSIDE DIMENSIONS.
 - 2) FOR SEISMIC ZONES 2 AND UP, ADD 4" TO HOISTWAY WIDTH.



HOISTWAY PLAN

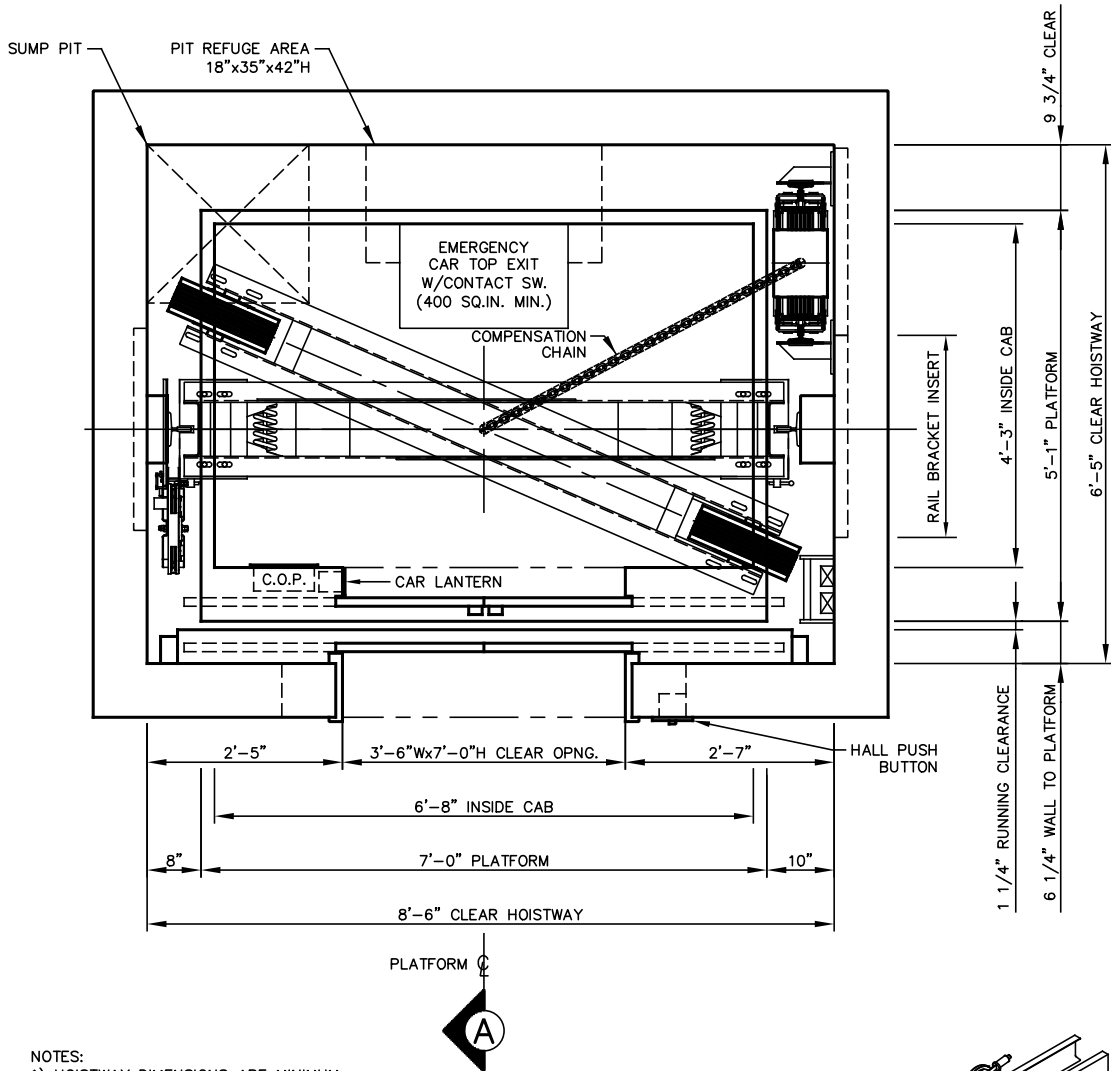
OVERHEAD MACHINE DETAIL

TRACTION MRL:
BLDG SUPPORTED
2500 LB SSSO (RH)

NOT FOR CONSTRUCTION

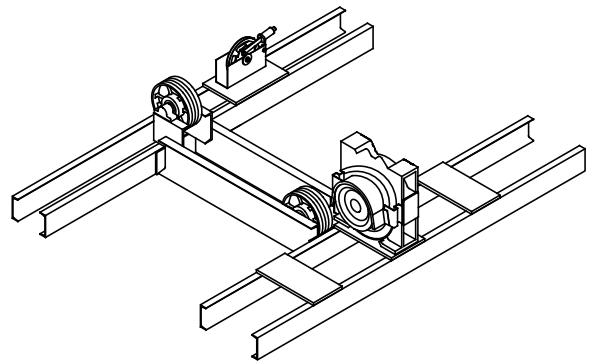
ALLIANCE
ELEVATOR SOLUTIONS
237 OREGON ST.
MERCERSBURG, PA 17236

N.T.S.	1 OF 3	2020
--------	--------	------



NOTES:

- 1) HOISTWAY DIMENSIONS ARE MINIMUM CLEAR INSIDE DIMENSIONS.
- 2) FOR SEISMIC ZONES 2 AND UP, ADD 4" TO HOISTWAY WIDTH.



HOISTWAY PLAN

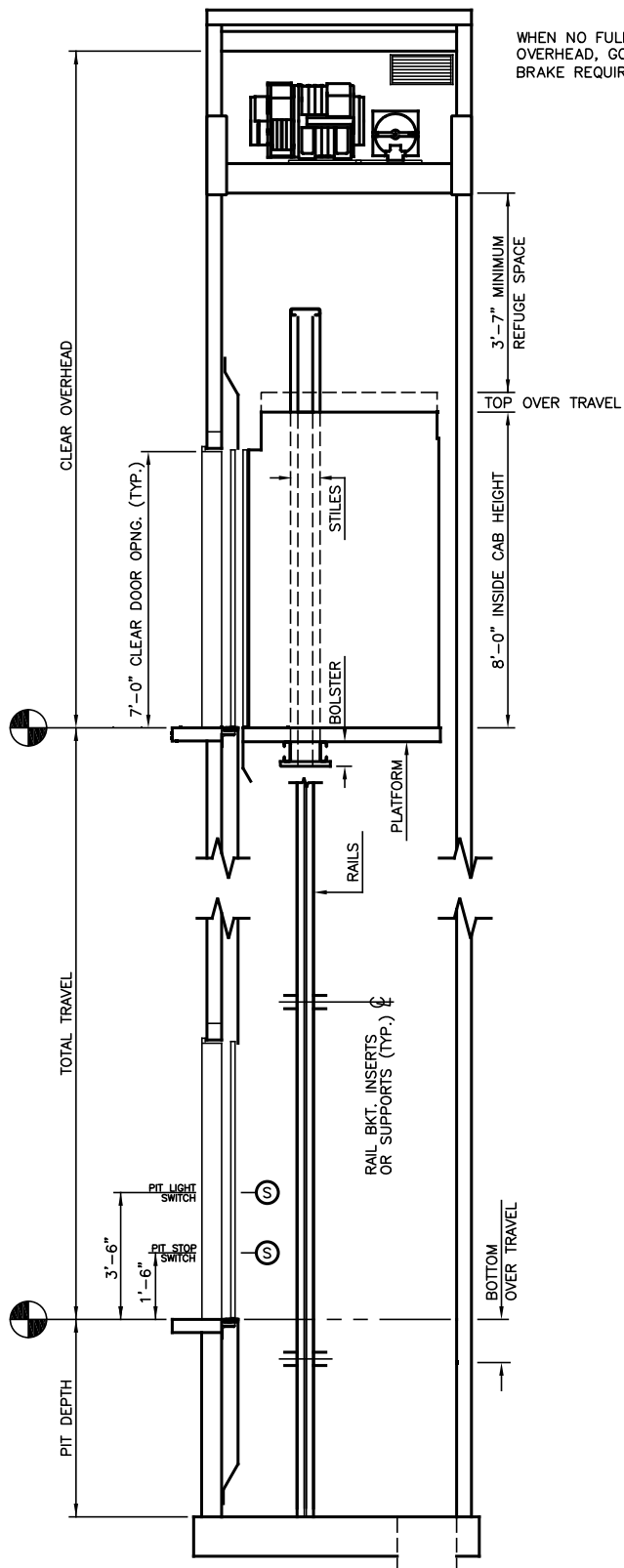
OVERHEAD MACHINE DETAIL

TRACTION MRL:
BLDG SUPPORTED
2500 LB SSC0

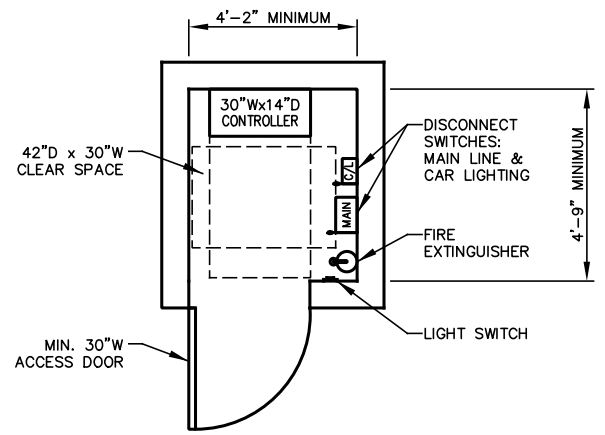
NOT FOR CONSTRUCTION

ALLIANCE
ELEVATOR SOLUTIONS
237 OREGON ST.
MERCERSBURG, PA 17236

N.T.S.	2 OF 3	2020
--------	--------	------



WHEN NO FULLY BODY ENTRY INTO OVERHEAD, GOVERNOR AND MACHINE BRAKE REQUIRE 24" x 24" ACCESS DOOR



CONTROLLER ROOM

BY DEFAULT CONTROLLER ROOM IS LOCATED ON THE TOP LANDING ADJACENT TO THE HOISTWAY

SECTION "A"

NOT FOR CONSTRUCTION

PIT & OVERHEAD BASED ON CAR SPEED AND CAPACITY

SPEED (FPM)	PIT	CAPACITY (LB)				
		2100	2500	3000	3500	4000-5000
100	5'-0"	15'-6"	15'-6"	15'-11"	15'-11"	15'-8"
150	5'-0"	15'-6"	15'-6"	15'-11"	15'-11"	15'-8"
200	5'-0"	16'-0"	16'-0"	16'-0"	16'-0"	15'-9"
250	5'-6"	16'-1"	16'-1"	16'-1"	16'-1"	15'-10"
300	5'-6"	16'-2"	16'-2"	16'-2"	16'-2"	15'-11"
350	5'-6"	16'-8"	16'-8"	16'-8"	16'-8"	16'-5"
400*	5'-9"	16'-9"	16'-9"	16'-9"	16'-9"	16'-10"
450*	6'-3"	16'-10"	16'-10"	16'-10"	16'-10"	17'-0"
500*	6'-3"	17'-6"	17'-6"	17'-6"	17'-6"	17'-9"

NOTE: OIL BUFFERS REQUIRED FOR CAR SPEED ABOVE 200 FPM. SPRING BUFFERS MAY BE USED FOR 200 FPM AND BELOW.

*FOR 4000-5000 LB CARS 3" ADDITIONAL PIT REQUIRED.



ALLIANCE

ELEVATOR SOLUTIONS

237 OREGON ST.
MERCERSBURG, PA 17236

N.T.S.	3 OF 3	2020
--------	--------	------