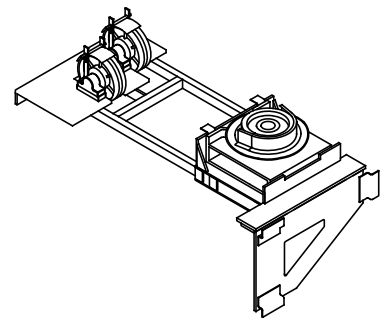


- NOTES:
 1) HOISTWAY DIMENSIONS ARE MINIMUM CLEAR INSIDE DIMENSIONS.
 2) FOR SEISMIC ZONES 2 AND UP, ADD 4" TO HOISTWAY WIDTH.



OVERHEAD
MACHINE DETAIL

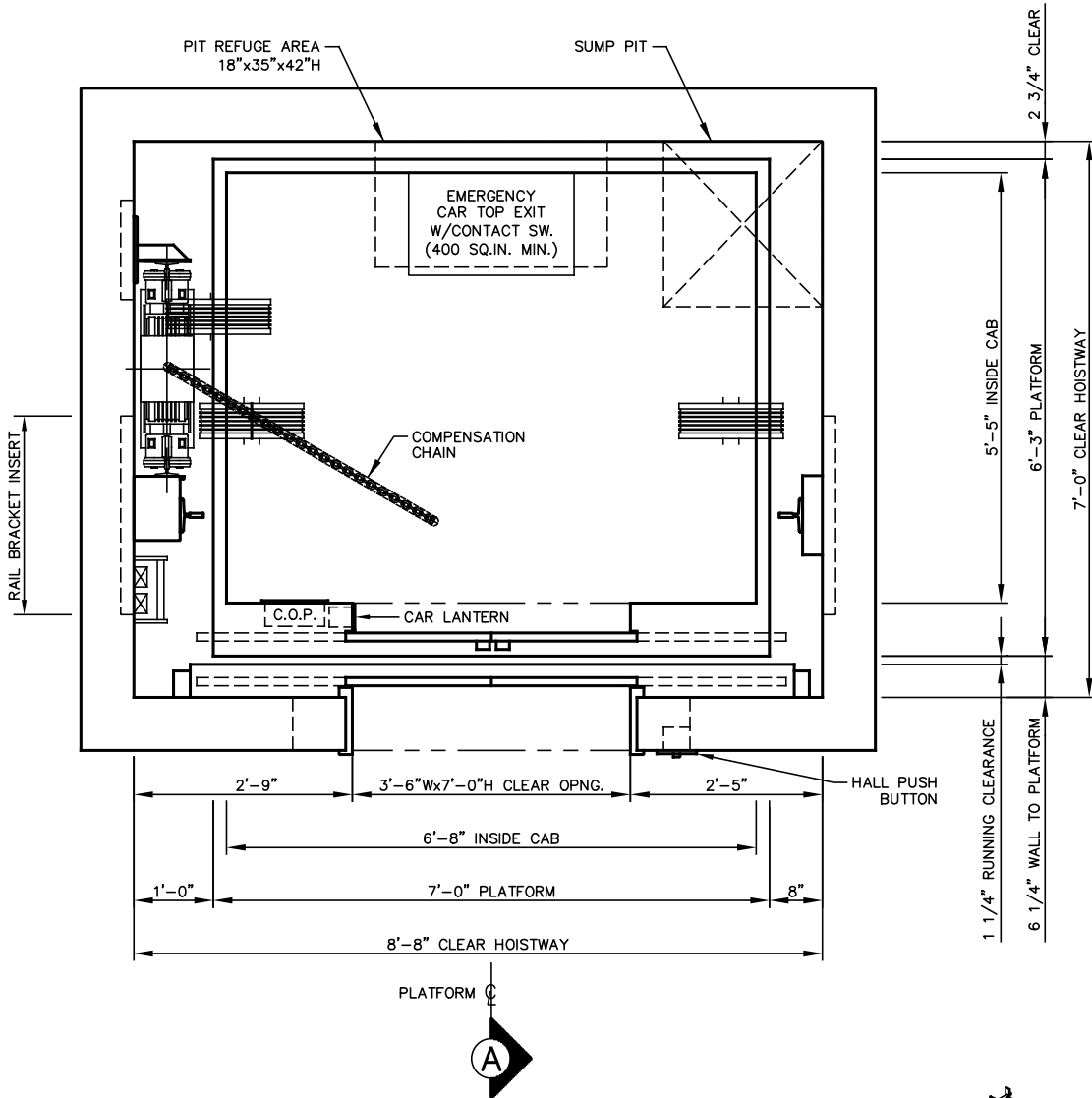
HOISTWAY PLAN

TRACTION MRL: RAIL SUPPORTED
 3500 LB SSSO (RH)

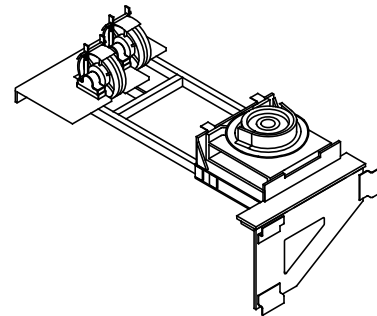
NOT FOR CONSTRUCTION

ALLIANCE
 ELEVATOR SOLUTIONS
 237 OREGON ST.
 MERCERSBURG, PA 17236

| | | |
|--------|--------|------|
| N.T.S. | 1 OF 3 | 2020 |
|--------|--------|------|



- NOTES:
- 1) HOISTWAY DIMENSIONS ARE MINIMUM CLEAR INSIDE DIMENSIONS.
 - 2) FOR SEISMIC ZONES 2 AND UP, ADD 4" TO HOISTWAY WIDTH.



OVERHEAD MACHINE DETAIL

HOISTWAY PLAN

TRACTION MRL: RAIL SUPPORTED
3500 LB SSC0

NOT FOR CONSTRUCTION

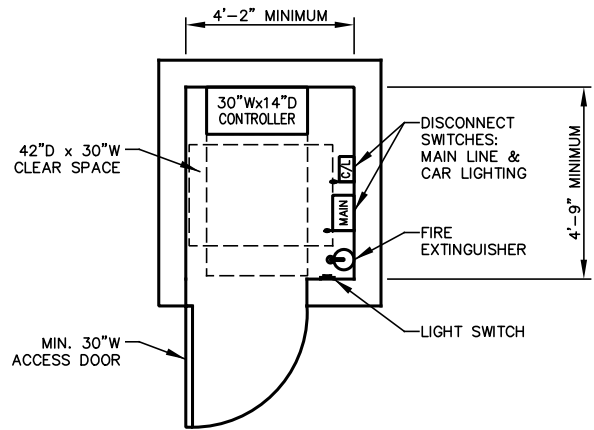
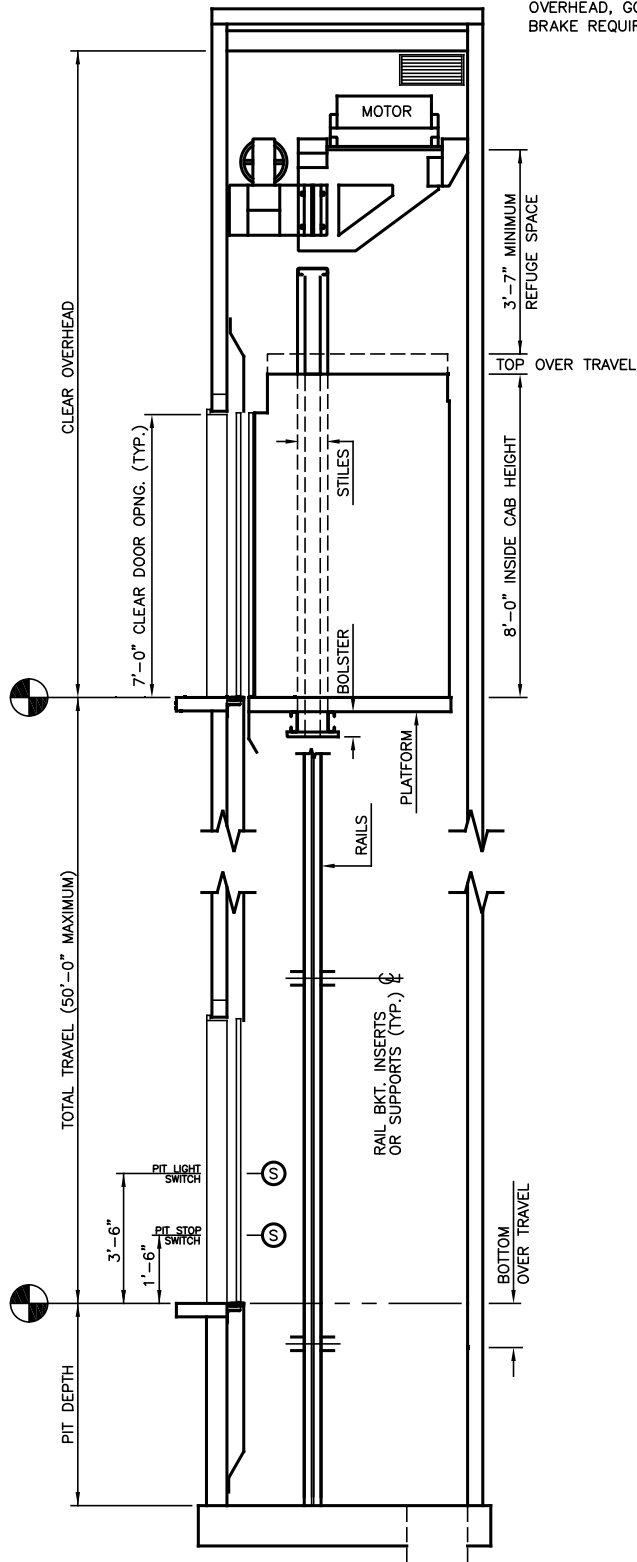
ALLIANCE
ELEVATOR SOLUTIONS
237 OREGON ST.
MERCERSBURG, PA 17236

N.T.S.

2 OF 3

2020

WHEN NO FULLY BODY ENTRY INTO OVERHEAD, GOVERNOR AND MACHINE BRAKE REQUIRE 24" x 24" ACCESS DOOR



CONTROLLER ROOM

BY DEFAULT CONTROLLER ROOM IS LOCATED ON THE TOP LANDING ADJACENT TO THE HOISTWAY

PIT & OVERHEAD BASED ON CAR SPEED AND CAPACITY

| SPEED (FPM) | PIT | CAPACITY (LB) | | | |
|-------------|-------|---------------|---------|---------|---------|
| | | 2100 | 2500 | 3000 | 3500 |
| 100 | 5'-0" | 14'-5" | 14'-5" | 14'-9" | 14'-9" |
| 150 | 5'-0" | 14'-5" | 14'-5" | 14'-9" | 14'-9" |
| 200 | 5'-0" | 14'-9" | 14'-9" | 14'-10" | 14'-10" |
| 250 | 5'-6" | 14'-10" | 14'-10" | 14'-11" | 14'-11" |
| 300 | 5'-6" | 14'-11" | 14'-11" | 15'-0" | 15'-0" |
| 350 | 5'-6" | 15'-5" | 15'-5" | 15'-6" | 15'-6" |

NOTE: OIL BUFFERS REQUIRED FOR CAR SPEED ABOVE 200 FPM. SPRING BUFFERS MAY BE USED FOR 200 FPM AND BELOW.

SECTION "A"

NOT FOR CONSTRUCTION

ALLIANCE
ELEVATOR SOLUTIONS
237 OREGON ST.
MERCERSBURG, PA 17236