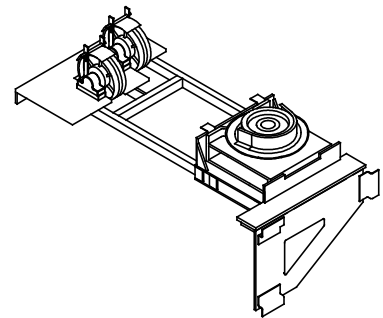


- NOTES:
- 1) HOISTWAY DIMENSIONS ARE MINIMUM CLEAR INSIDE DIMENSIONS.
  - 2) FOR SEISMIC ZONES 2 AND UP, ADD 4" TO HOISTWAY WIDTH.



# HOISTWAY PLAN

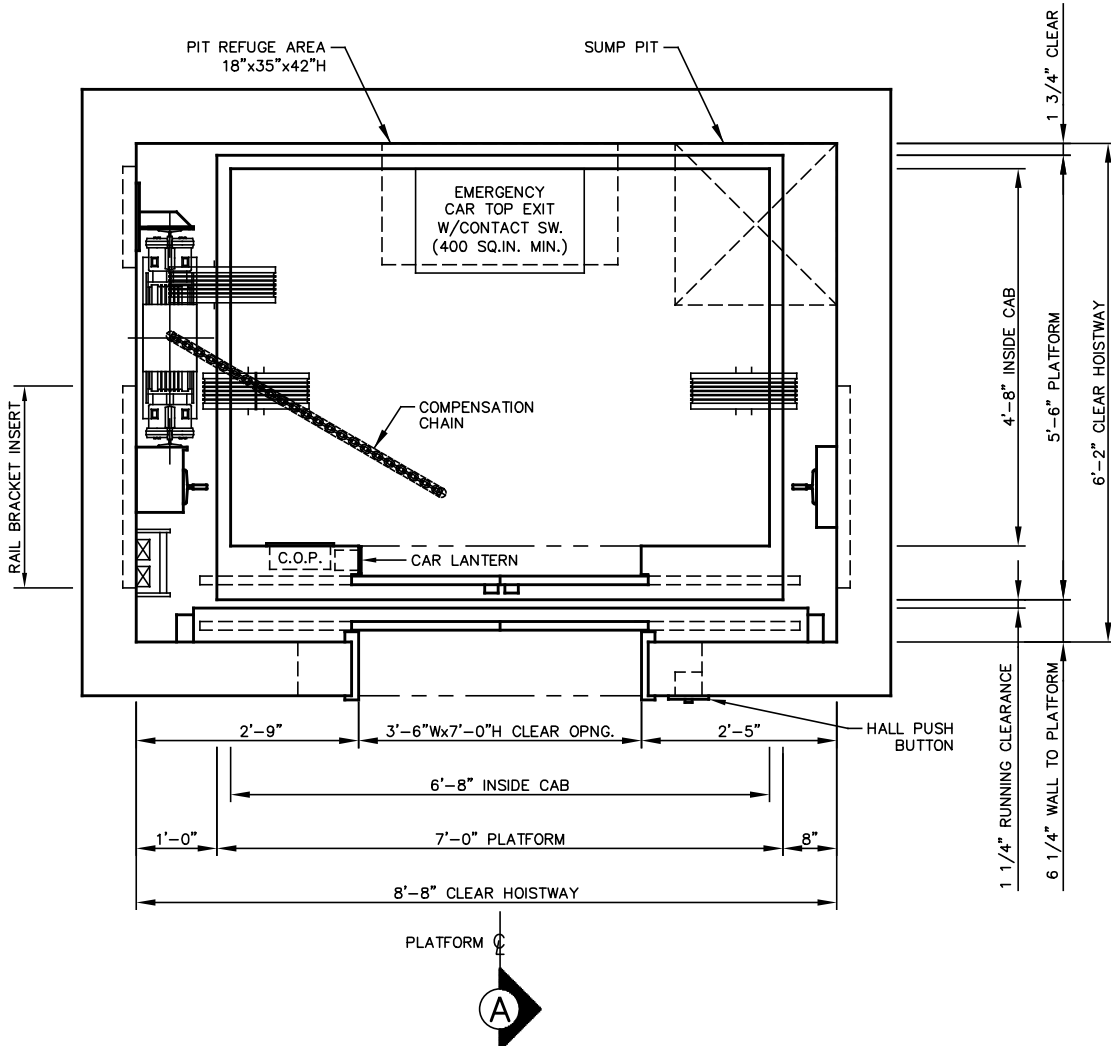
# OVERHEAD MACHINE DETAIL

TRACTION MRL: RAIL SUPPORTED  
3000 LB SSSO (RH)

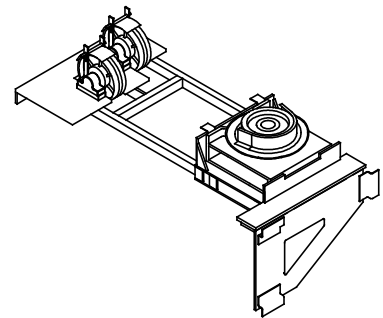
**NOT FOR CONSTRUCTION**

**ALLIANCE**  
ELEVATOR SOLUTIONS  
237 OREGON ST.  
MERCERSBURG, PA 17236

N.T.S.	1 OF 3	2020
--------	--------	------



- NOTES:
- 1) HOISTWAY DIMENSIONS ARE MINIMUM CLEAR INSIDE DIMENSIONS.
  - 2) FOR SEISMIC ZONES 2 AND UP, ADD 4" TO HOISTWAY WIDTH.



# HOISTWAY PLAN

# OVERHEAD MACHINE DETAIL

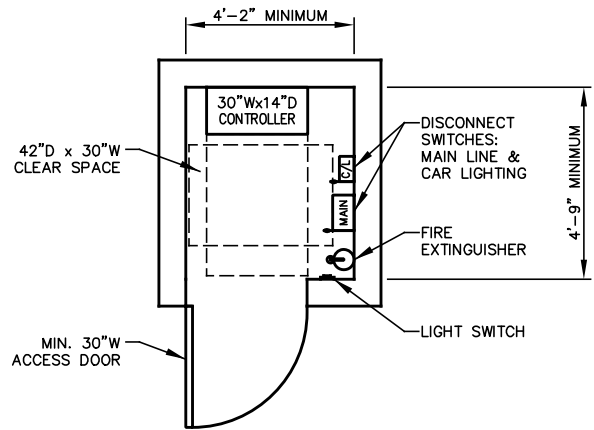
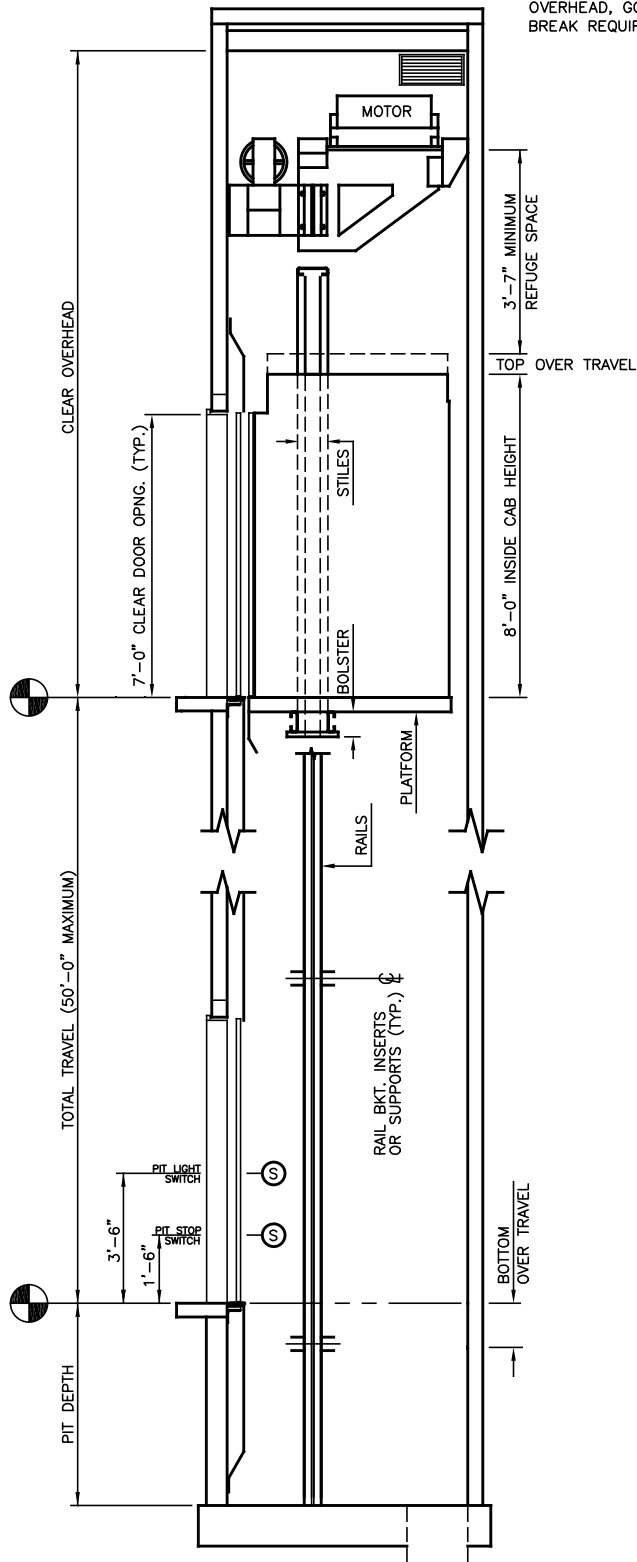
TRACTION MRL: RAIL SUPPORTED  
3000 LB SSCO

**NOT FOR CONSTRUCTION**

**ALLIANCE**  
ELEVATOR SOLUTIONS  
237 OREGON ST.  
MERCERSBURG, PA 17236

N.T.S.	2 OF 3	2020
--------	--------	------

WHEN NO FULLY BODY ENTRY INTO OVERHEAD, GOVERNOR AND MACHINE BREAK REQUIRE 24" x 24" ACCESS DOOR



## CONTROLLER ROOM

BY DEFAULT CONTROLLER ROOM IS LOCATED ON THE TOP LANDING ADJACENT TO THE HOISTWAY

PIT & OVERHEAD BASED ON CAR SPEED AND CAPACITY

SPEED (FPM)	PIT	CAPACITY (LB)			
		2100	2500	3000	3500
100	5'-0"	14'-5"	14'-5"	14'-9"	14'-9"
150	5'-0"	14'-5"	14'-5"	14'-9"	14'-9"
200	5'-0"	14'-9"	14'-9"	14'-10"	14'-10"
250	5'-6"	14'-10"	14'-10"	14'-11"	14'-11"
300	5'-6"	14'-11"	14'-11"	15'-0"	15'-0"
350	5'-6"	15'-5"	15'-5"	15'-6"	15'-6"

NOTE: OIL BUFFERS REQUIRED FOR CAR SPEED ABOVE 200 FPM. SPRING BUFFERS MAY BE USED FOR 200 FPM AND BELOW.

## SECTION "A"

NOT FOR CONSTRUCTION

**ALLIANCE**  
ELEVATOR SOLUTIONS  
237 OREGON ST.  
MERCERSBURG, PA 17236