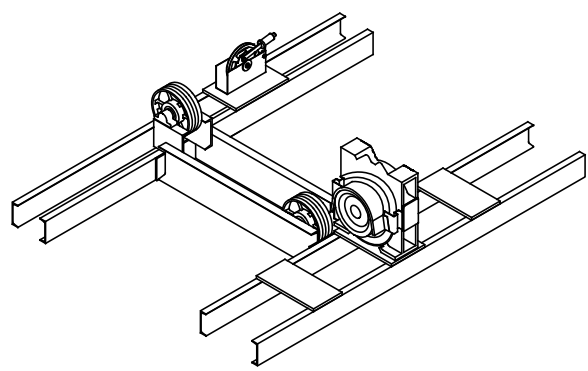


- NOTES:
- 1) HOISTWAY DIMENSIONS ARE MINIMUM CLEAR INSIDE DIMENSIONS.
 - 2) FOR SEISMIC ZONES 2 AND UP, ADD 4" TO HOISTWAY WIDTH.



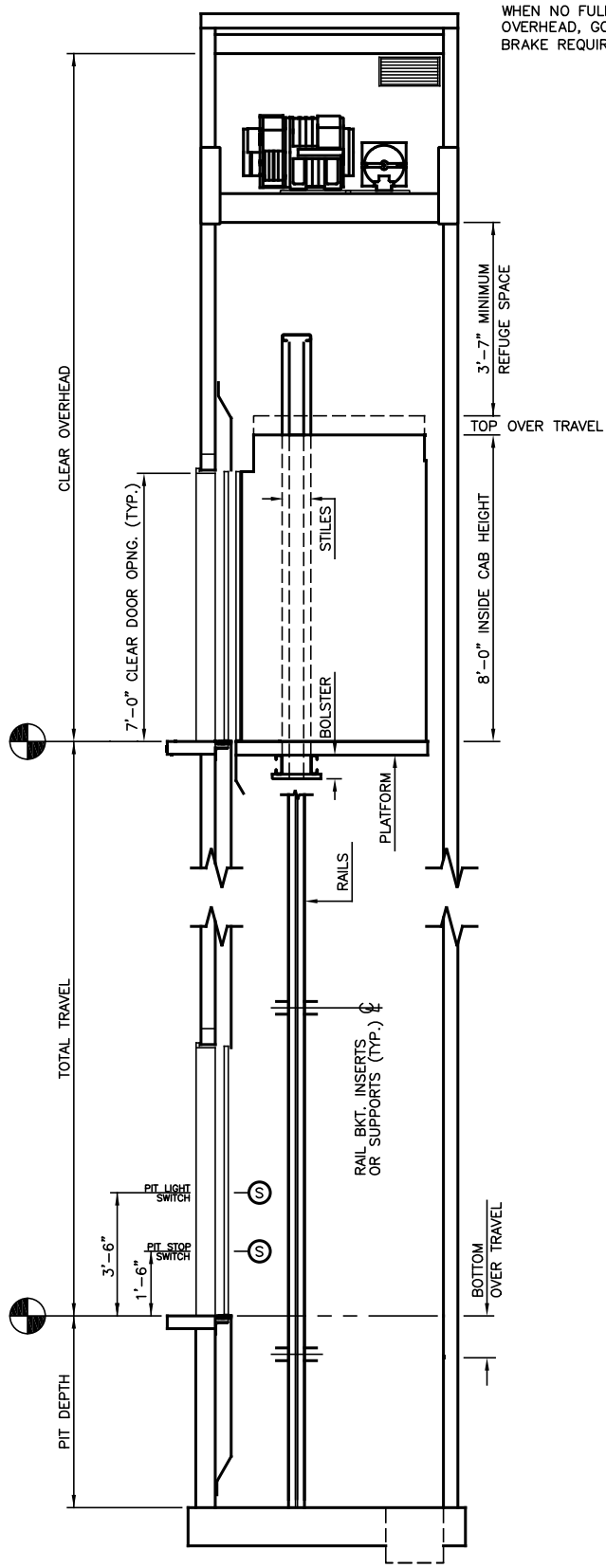
HOISTWAY PLAN

OVERHEAD MACHINE DETAIL

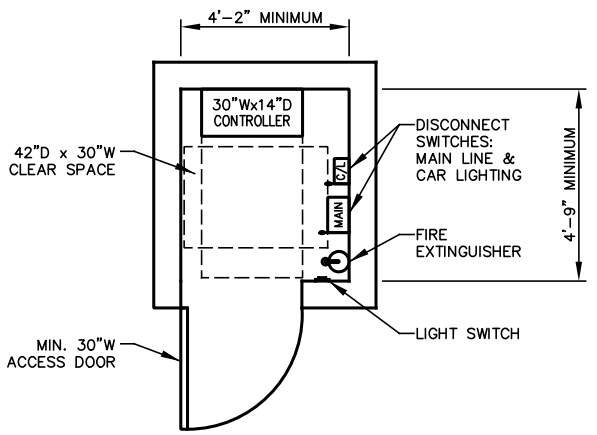
TRACTION MRL:
 BUILDING SUPPORTED
 2100 LB SSSO (RH)

ALLIANCE
 ELEVATOR SOLUTIONS
 237 OREGON ST.
 MERCERSBURG, PA 17236

NOT FOR CONSTRUCTION



WHEN NO FULLY BODY ENTRY INTO OVERHEAD, GOVERNOR AND MACHINE BRAKE REQUIRE 24" x 24" ACCESS DOOR



CONTROLLER ROOM

BY DEFAULT CONTROLLER ROOM IS LOCATED ON THE TOP LANDING ADJACENT TO THE HOISTWAY

PIT & OVERHEAD BASED ON CAR SPEED AND CAPACITY

SPEED (FPM)	PIT	CAPACITY (LB)				
		2100	2500	3000	3500	4000-5000
100	5'-0"	15'-6"	15'-6"	15'-11"	15'-11"	15'-8"
150	5'-0"	15'-6"	15'-6"	15'-11"	15'-11"	15'-8"
200	5'-0"	16'-0"	16'-0"	16'-0"	16'-0"	15'-9"
250	5'-6"	16'-1"	16'-1"	16'-1"	16'-1"	15'-10"
300	5'-6"	16'-2"	16'-2"	16'-2"	16'-2"	15'-11"
350	5'-6"	16'-8"	16'-8"	16'-8"	16'-8"	16'-5"
400*	5'-9"	16'-9"	16'-9"	16'-9"	16'-9"	16'-10"
450*	6'-3"	16'-10"	16'-10"	16'-10"	16'-10"	17'-0"
500*	6'-3"	17'-6"	17'-6"	17'-6"	17'-6"	17'-9"

NOTE: OIL BUFFERS REQUIRED FOR CAR SPEED ABOVE 200 FPM. SPRING BUFFERS MAY BE USED FOR 200 FPM AND BELOW.

*FOR 4000-5000 LB CARS 3" ADDITIONAL PIT REQUIRED.

SECTION "A"
NOT FOR CONSTRUCTION

ALLIANCE

ELEVATOR SOLUTIONS
237 OREGON ST.
MERCERSBURG, PA 17236

N.T.S.	2 OF 2	2020
--------	--------	------