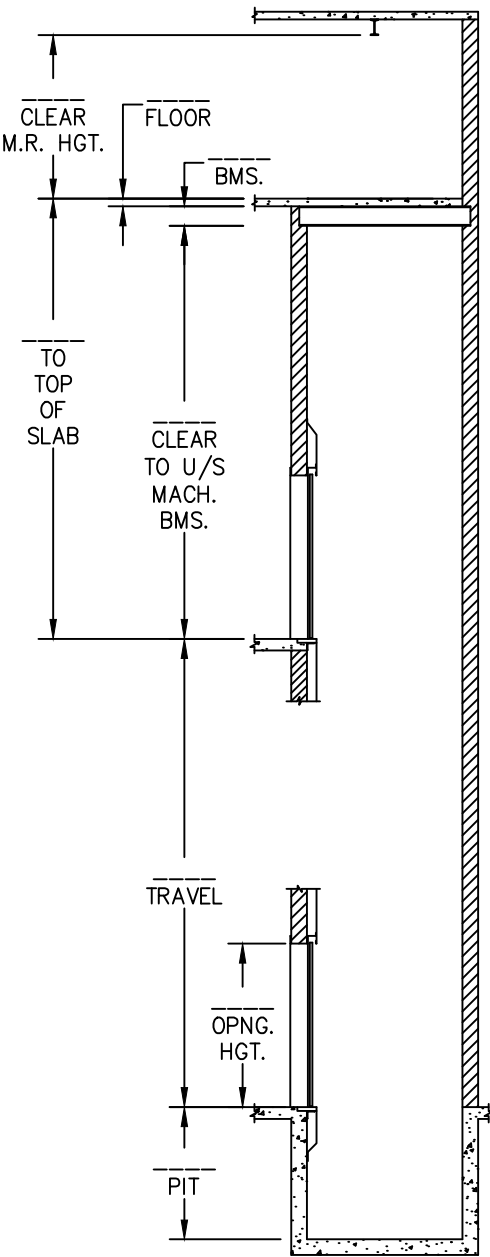


## EXISTING SHAFT SURVEY (SHT. 1)

### FLOOR HEIGHTS AND ELEVATIONS

FLOOR SCHEDULE															
FLOOR TO FLOOR HEIGHT	FLOOR MARKING	OPENINGS (FRONT / REAR / SIDE)													
		CAR # _____			CAR # _____			CAR # _____			CAR # _____				
		F	R	S	F	R	S	F	R	S	F	R	S		
TOTAL:															



IS THE PIT ACCESSED BY LADDER? \_\_\_\_\_  
 OR BY WALK-IN ACCESS DOOR? \_\_\_\_\_  
 OCCUPIED SPACE BELOW THE PIT? \_\_\_\_\_

INSTRUCTIONS:

1. USE THE CHART TO INDICATE ALL FLOOR MARKINGS.
2. LIST THE FLOOR TO FLOOR HEIGHTS.
3. INDICATE WHICH FLOORS ARE SERVED BY THE FRONT/REAR/SIDE ENTRANCES.
4. AT THE BOTTOM OF THE CHART INDICATE THE TOTAL NUMBER OF FLOORS SERVED BY THE FRONT/REAR/SIDE ENTRANCES.
5. ON THE DIAGRAM TO THE RIGHT INDICATE THE PIT DEPTH, OVERALL TRAVEL, AND OVERHEAD HEIGHTS.

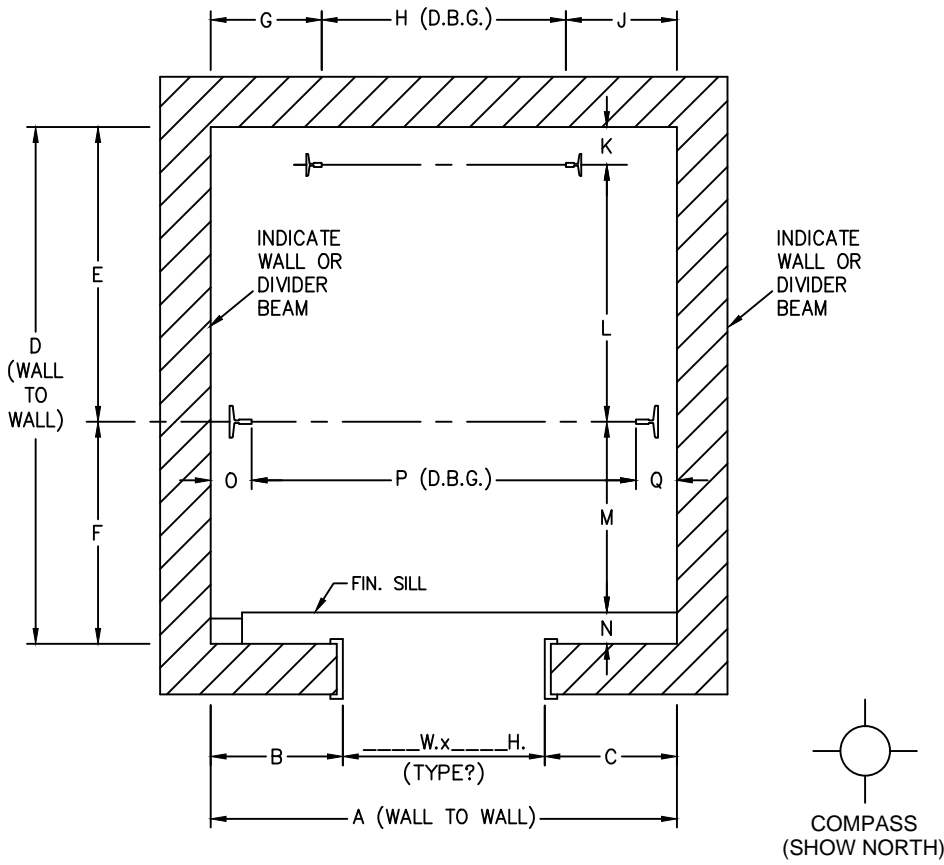
ELEV. CONTR. \_\_\_\_\_  
 JOB NAME \_\_\_\_\_  
 ELEVATOR NO. \_\_\_\_\_  
 JOB NO. \_\_\_\_\_ DATE \_\_\_\_\_



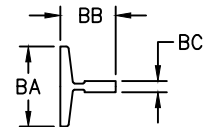
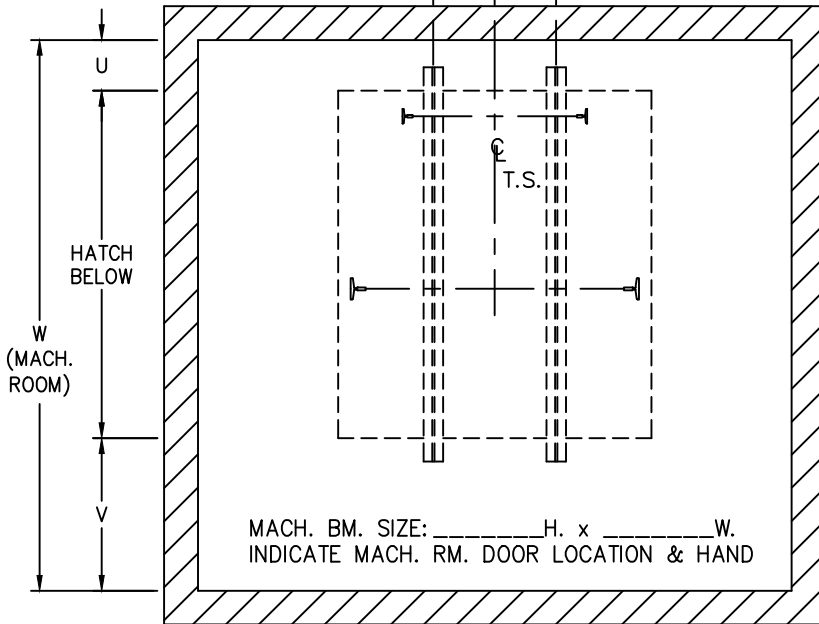
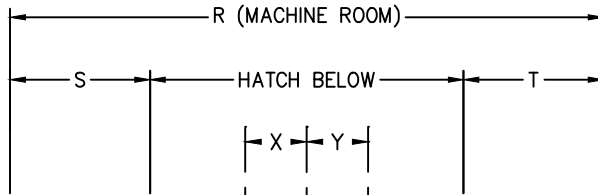
237 Oregon St., Mercersburg, PA 17236  
 P: 888-960-5596 • F: 717-498-0099  
 customerservice@allianceelevator.net  
 allianceelevator.net

EXISTING SHAFT SURVEY (SHT. 2)

SINGLE OPENING - CWT. AT REAR



DIMENSIONS AT TIGHTEST POINT	
A	
B	
C	
D	
E	
F	
G	
H	
J	
K	
L	
M	
N	
O	
P	
Q	
R	
S	
T	
U	
V	
W	
X	
Y	



RAIL DIMENSIONS		
	CAR	CWT.
BA		
BB		
BC		
LB./FT.		

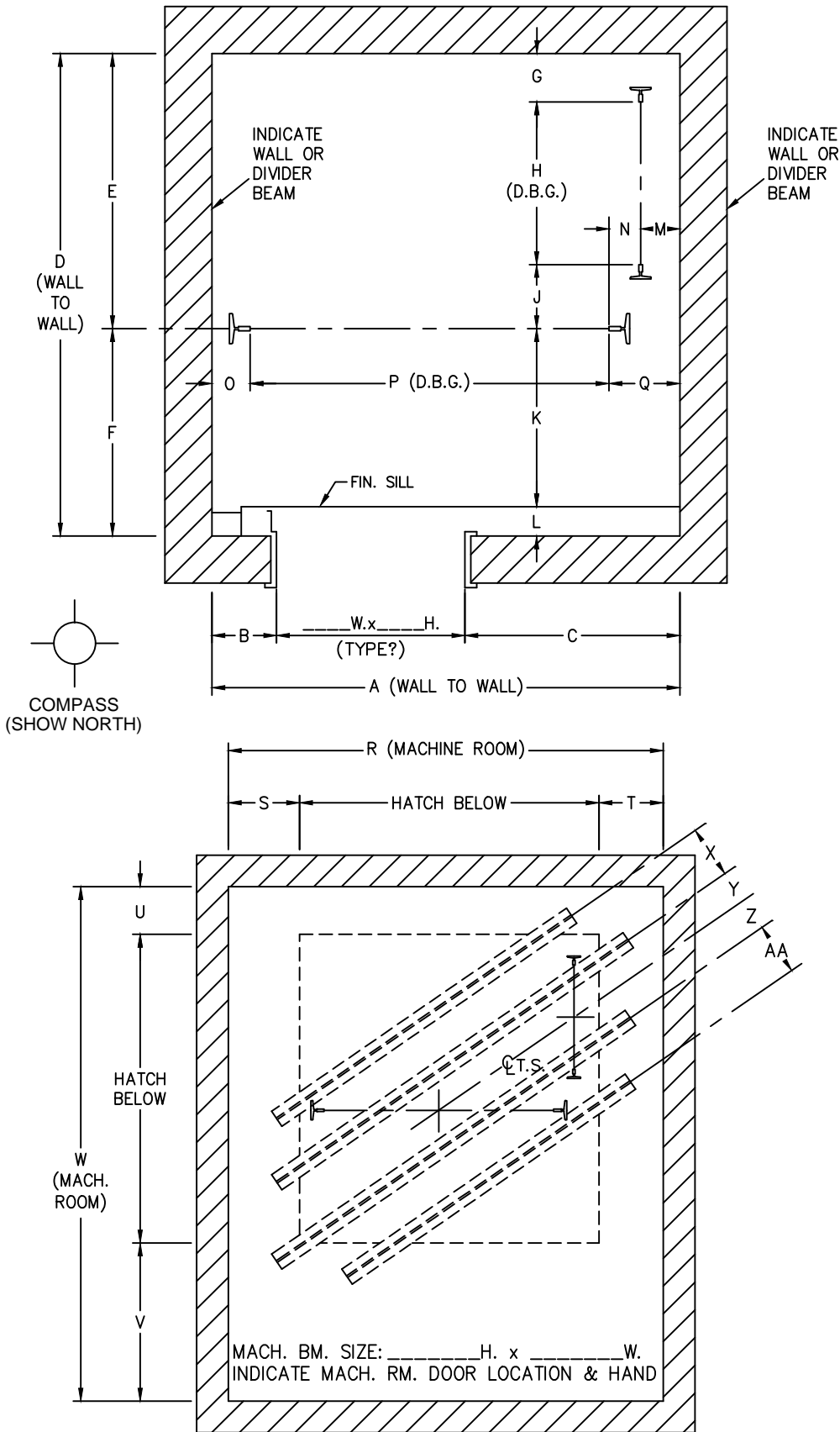
ELEV. CONTR. \_\_\_\_\_  
 JOB NAME \_\_\_\_\_  
 ELEVATOR NO. \_\_\_\_\_  
 JOB NO. \_\_\_\_\_ DATE \_\_\_\_\_

**ALLIANCE**  
 ELEVATOR SOLUTIONS

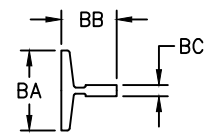
237 Oregon St., Mercersburg, PA 17236  
 P: 888-960-5596 • F: 717-498-0099  
 customerservice@allianceelevator.net  
 allianceelevator.net

EXISTING SHAFT SURVEY (SHT. 3)

SINGLE OPENING -  
LEFT HAND DOOR -  
CWT. ON RIGHT



DIMENSIONS AT TIGHTEST POINT	
A	
B	
C	
D	
E	
F	
G	
H	
J	
K	
L	
M	
N	
O	
P	
Q	
R	
S	
T	
U	
V	
W	
X	
Y	
Z	
AA	



RAIL DIMENSIONS		
	CAR	CWT.
BA		
BB		
BC		
LB./FT.		

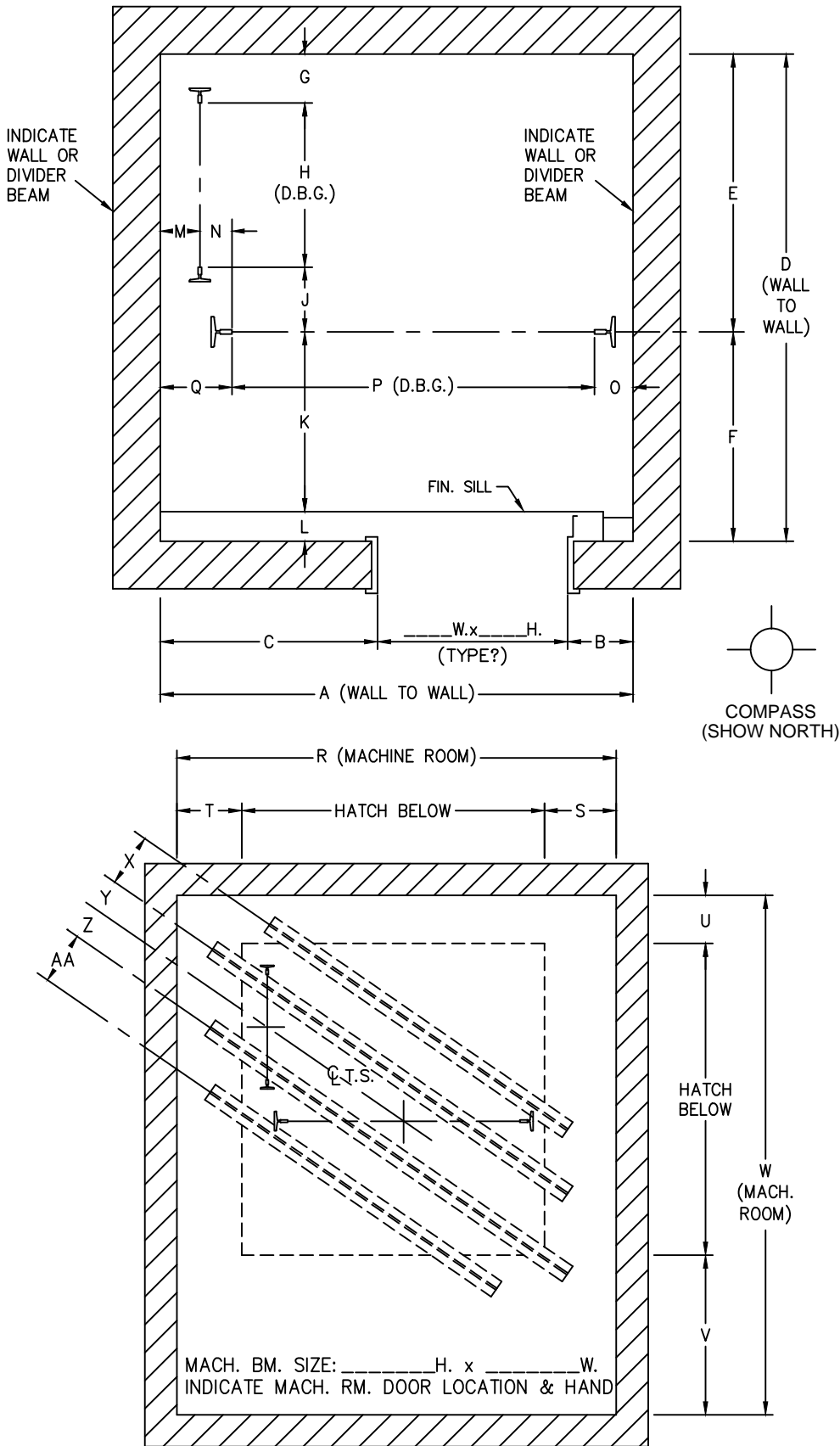
ELEV. CONTR. \_\_\_\_\_  
 JOB NAME \_\_\_\_\_  
 ELEVATOR NO. \_\_\_\_\_  
 JOB NO. \_\_\_\_\_ DATE \_\_\_\_\_

**ALLIANCE**  
 ELEVATOR SOLUTIONS

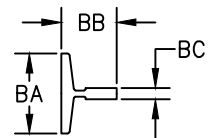
237 Oregon St., Mercersburg, PA 17236  
 P: 888-960-5596 • F: 717-498-0099  
 customerservice@alliancelevator.net  
 alliancelevator.net

EXISTING SHAFT SURVEY (SHT. 4)

SINGLE OPENING -  
RIGHT HAND DOOR -  
CWT. ON LEFT



DIMENSIONS AT TIGHTEST POINT	
A	
B	
C	
D	
E	
F	
G	
H	
J	
K	
L	
M	
N	
O	
P	
Q	
R	
S	
T	
U	
V	
W	
X	
Y	
Z	
AA	



RAIL DIMENSIONS		
	CAR	CWT.
BA		
BB		
BC		
LB./FT.		

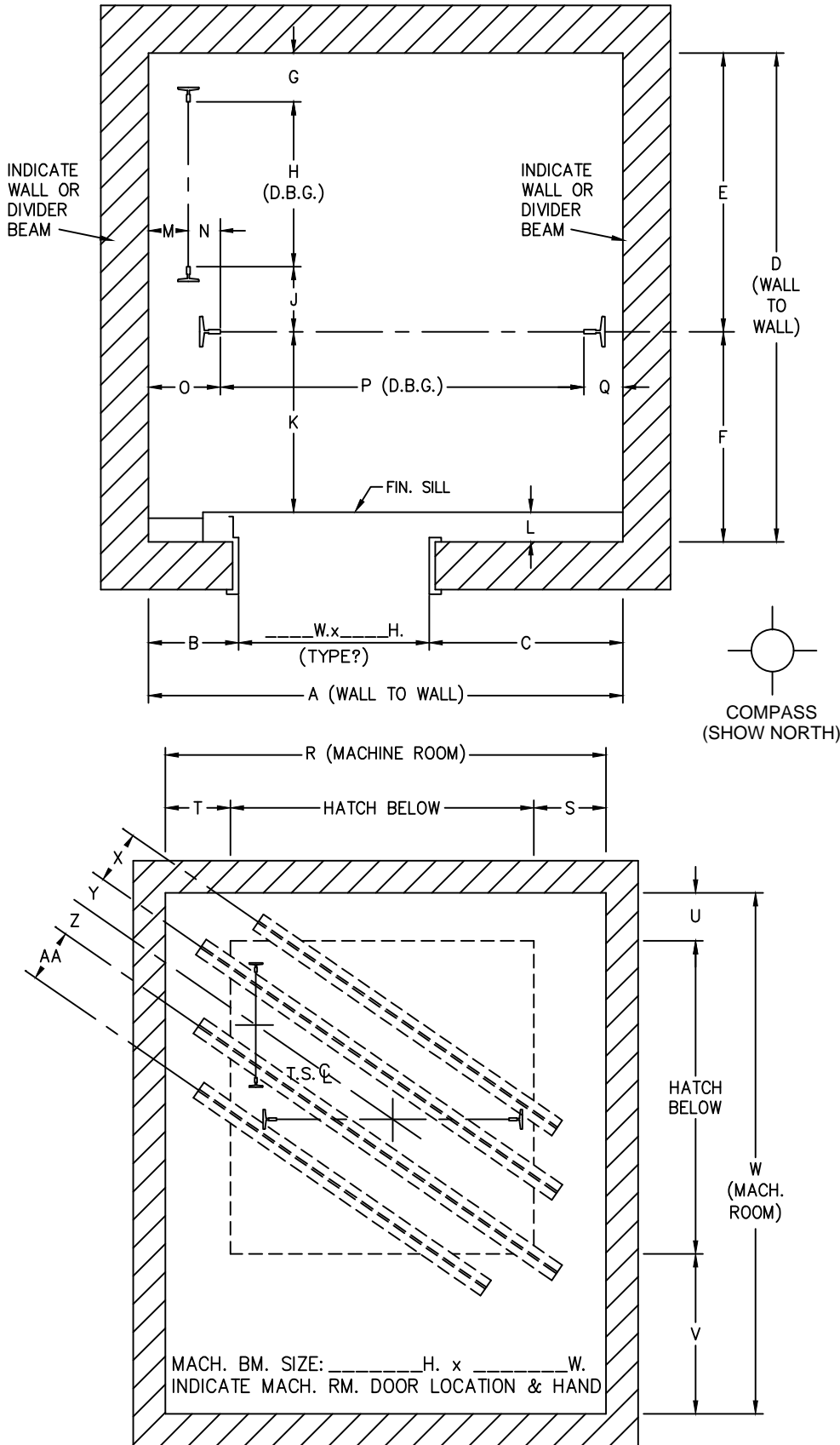
ELEV. CONTR. \_\_\_\_\_  
 JOB NAME \_\_\_\_\_  
 ELEVATOR NO. \_\_\_\_\_  
 JOB NO. \_\_\_\_\_ DATE \_\_\_\_\_

**ALLIANCE**  
 ELEVATOR SOLUTIONS

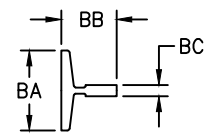
237 Oregon St., Mercersburg, PA 17236  
 P: 888-960-5596 • F: 717-498-0099  
 customerservice@allianceelevator.net  
 allianceelevator.net

EXISTING SHAFT SURVEY (SHT. 5)

SINGLE OPENING - LEFT HAND DOOR - CWT. ON LEFT



DIMENSIONS AT TIGHTEST POINT	
A	
B	
C	
D	
E	
F	
G	
H	
J	
K	
L	
M	
N	
O	
P	
Q	
R	
S	
T	
U	
V	
W	
X	
Y	
Z	
AA	



RAIL DIMENSIONS		
	CAR	CWT.
BA		
BB		
BC		
LB./FT.		

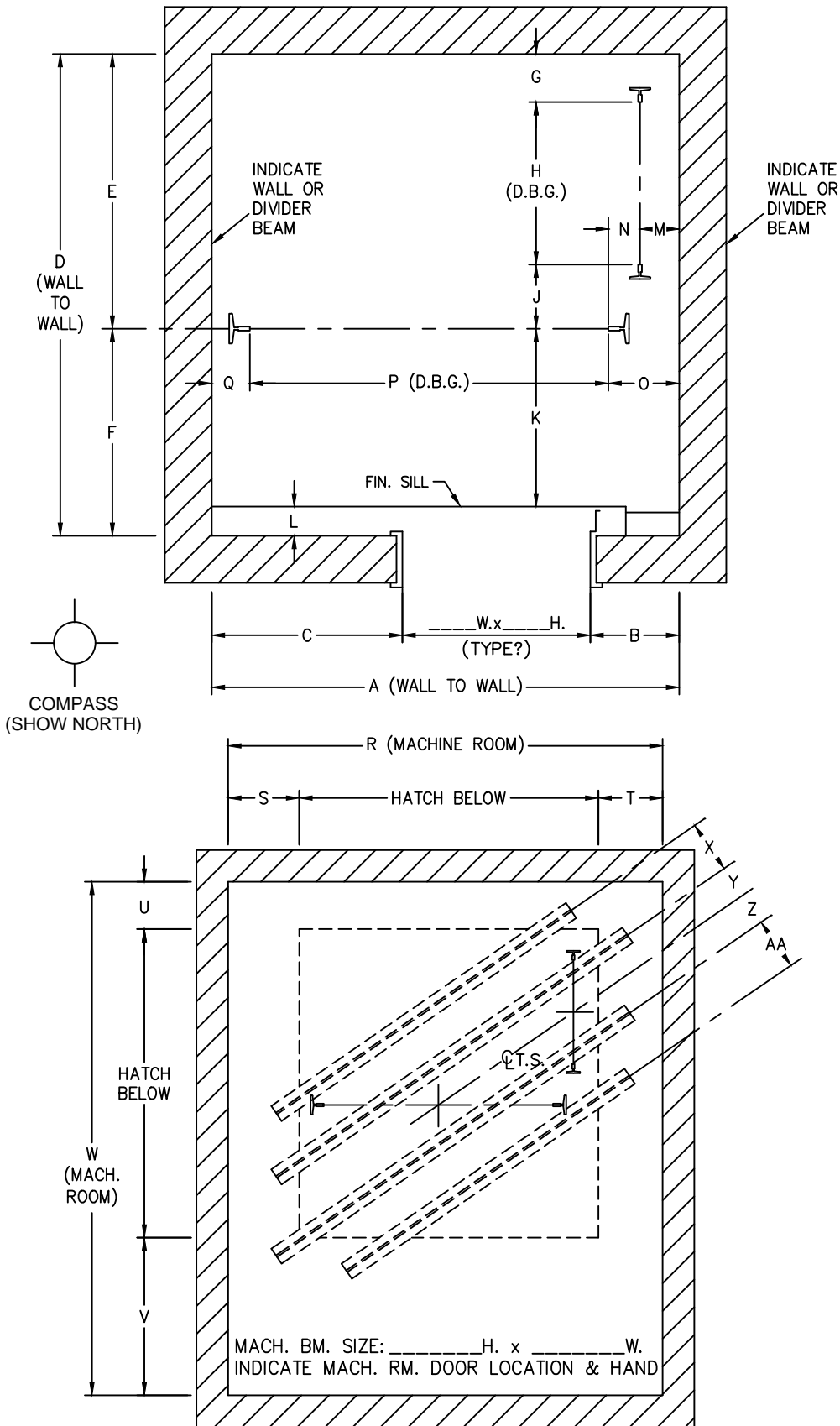
ELEV. CONTR. \_\_\_\_\_  
 JOB NAME \_\_\_\_\_  
 ELEVATOR NO. \_\_\_\_\_  
 JOB NO. \_\_\_\_\_ DATE \_\_\_\_\_

**ALLIANCE**  
 ELEVATOR SOLUTIONS

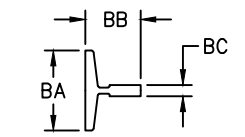
237 Oregon St., Mercersburg, PA 17236  
 P: 888-960-5596 • F: 717-498-0099  
 customerservice@allianceelevator.net  
 allianceelevator.net

EXISTING SHAFT SURVEY (SHT. 6)

SINGLE OPENING -  
RIGHT HAND DOOR -  
CWT. ON RIGHT



DIMENSIONS AT TIGHTEST POINT	
A	
B	
C	
D	
E	
F	
G	
H	
J	
K	
L	
M	
N	
O	
P	
Q	
R	
S	
T	
U	
V	
W	
X	
Y	
Z	
AA	



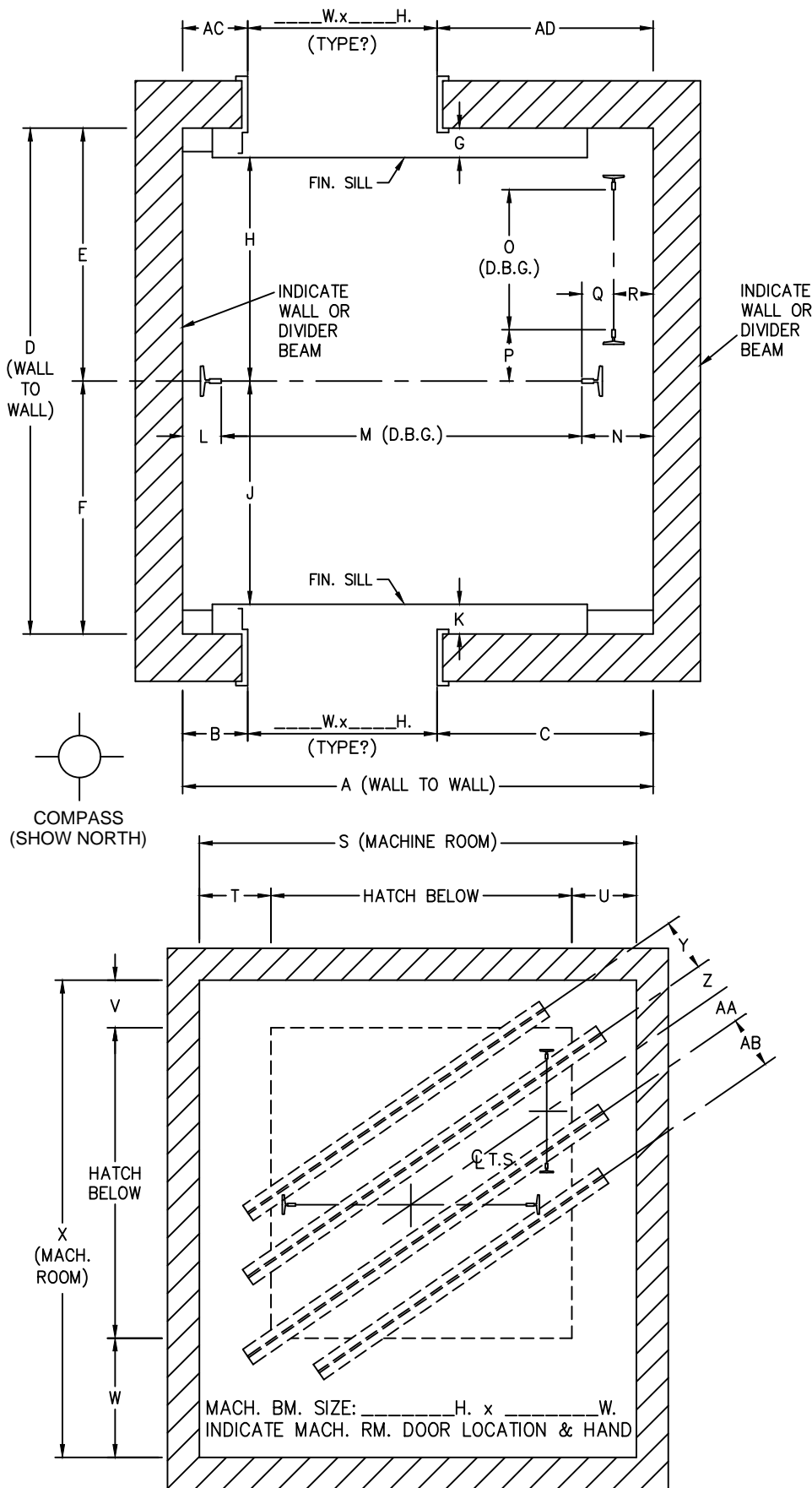
RAIL DIMENSIONS		
	CAR	CWT.
BA		
BB		
BC		
LB./FT.		

ELEV. CONTR. \_\_\_\_\_  
 JOB NAME \_\_\_\_\_  
 ELEVATOR NO. \_\_\_\_\_  
 JOB NO. \_\_\_\_\_ DATE \_\_\_\_\_

**ALLIANCE**  
 ELEVATOR SOLUTIONS

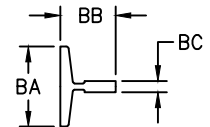
237 Oregon St., Mercersburg, PA 17236  
 P: 888-960-5596 • F: 717-498-0099  
 customerservice@allianceelevator.net  
 allianceelevator.net

EXISTING SHAFT SURVEY (SHT. 7)



DOUBLE OPENING -  
LEFT HAND DOOR -  
CWT. ON RIGHT

DIMENSIONS AT TIGHTEST POINT	
A	
B	
C	
D	
E	
F	
G	
H	
J	
K	
L	
M	
N	
O	
P	
Q	
R	
S	
T	
U	
V	
W	
X	
Y	
Z	
AA	
AB	
AC	
AD	



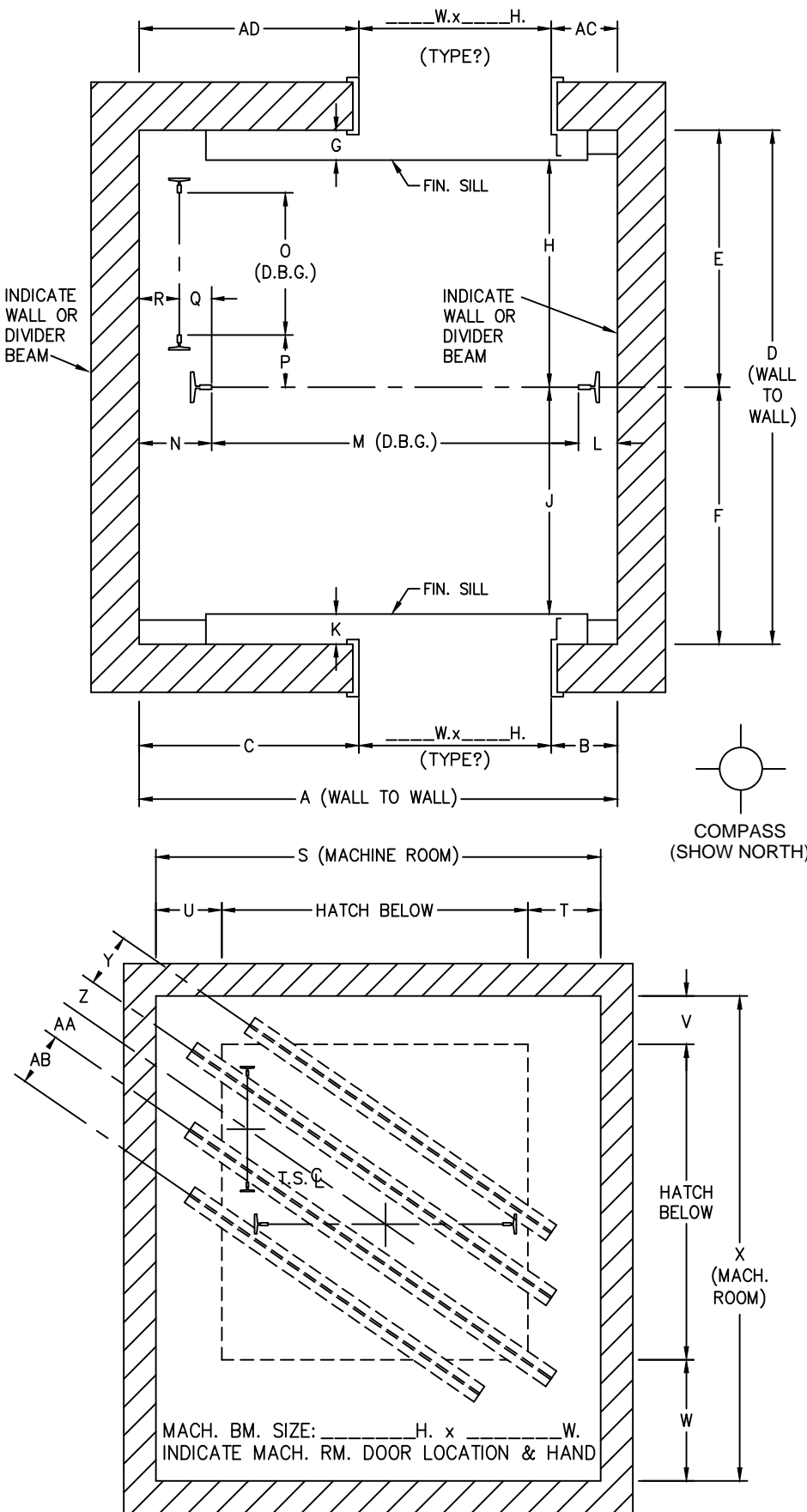
RAIL DIMENSIONS		
	CAR	CWT.
BA		
BB		
BC		
LB./FT.		

ELEV. CONTR. \_\_\_\_\_  
 JOB NAME \_\_\_\_\_  
 ELEVATOR NO. \_\_\_\_\_  
 JOB NO. \_\_\_\_\_ DATE \_\_\_\_\_

**ALLIANCE**  
 ELEVATOR SOLUTIONS

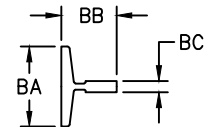
237 Oregon St., Mercersburg, PA 17236  
 P: 888-960-5596 • F: 717-498-0099  
 customerservice@allianceelevator.net  
 allianceelevator.net

EXISTING SHAFT SURVEY (SHT. 8)



DOUBLE OPENING -  
RIGHT HAND DOOR -  
CWT. ON LEFT

DIMENSIONS AT TIGHTEST POINT	
A	
B	
C	
D	
E	
F	
G	
H	
J	
K	
L	
M	
N	
O	
P	
Q	
R	
S	
T	
U	
V	
W	
X	
Y	
Z	
AA	
AB	
AC	
AD	



RAIL DIMENSIONS		
	CAR	CWT.
BA		
BB		
BC		
LB./FT.		

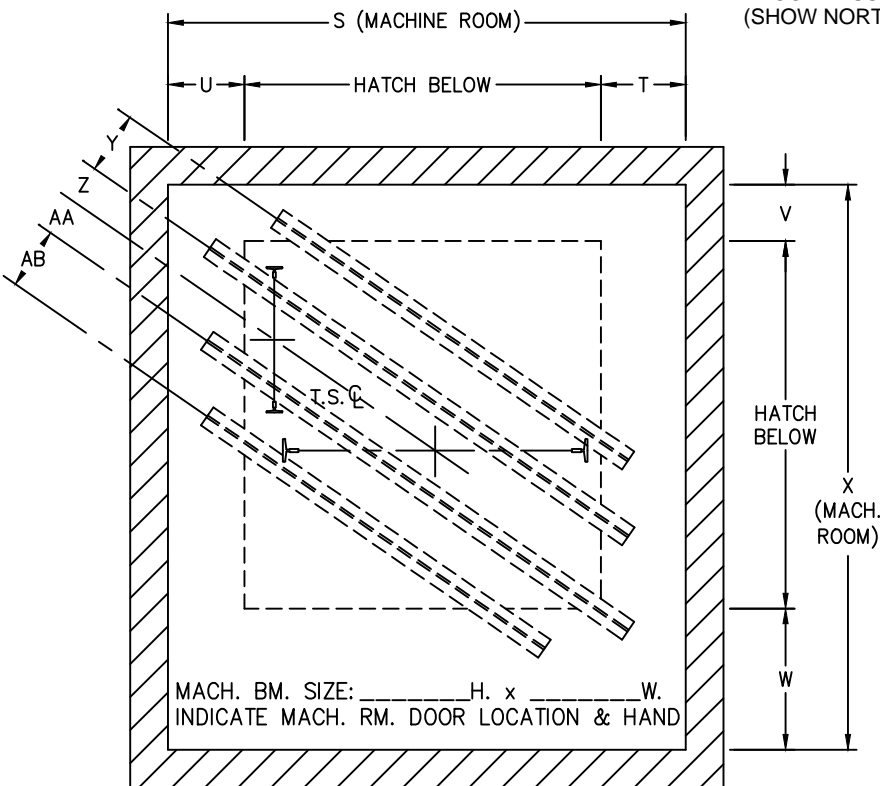
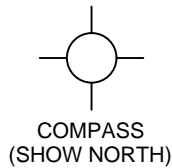
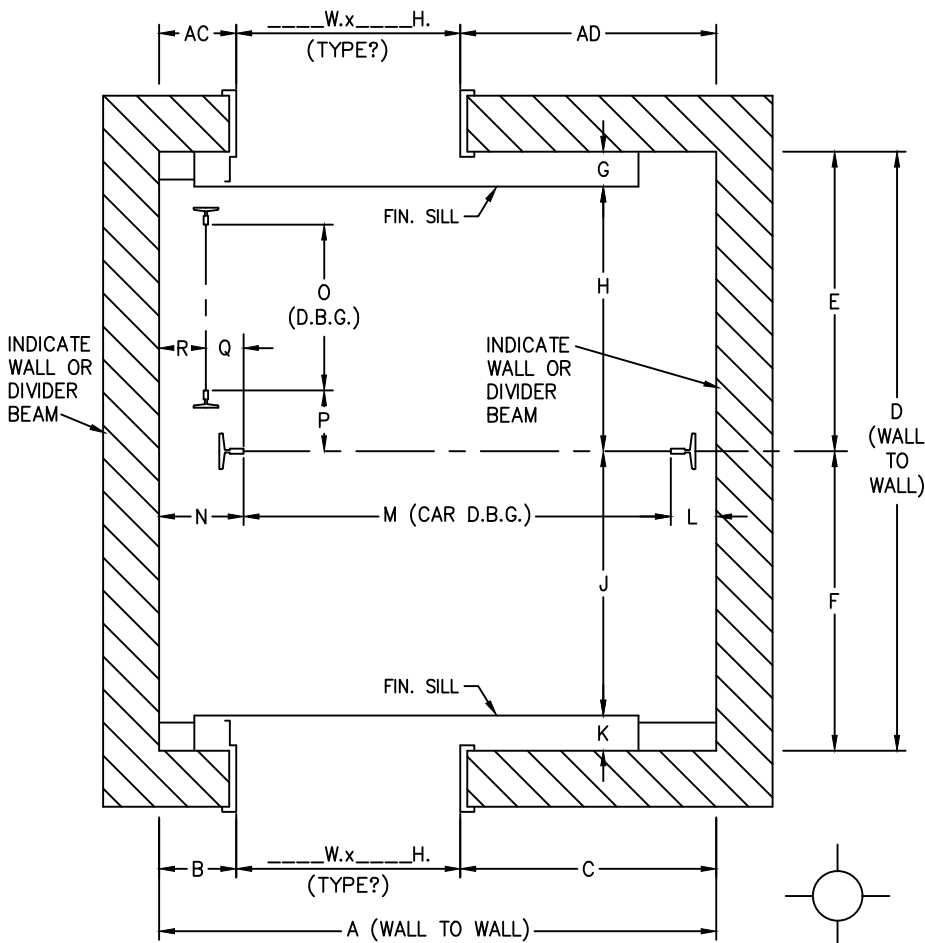
ELEV. CONTR. \_\_\_\_\_  
 JOB NAME \_\_\_\_\_  
 ELEVATOR NO. \_\_\_\_\_  
 JOB NO. \_\_\_\_\_ DATE \_\_\_\_\_

**ALLIANCE**  
 ELEVATOR SOLUTIONS

237 Oregon St., Mercersburg, PA 17236  
 P: 888-960-5596 • F: 717-498-0099  
 customerservice@allianceelevator.net  
 allianceelevator.net

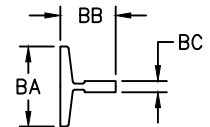


EXISTING SHAFT SURVEY (SHT. 9)



DOUBLE OPENING -  
LEFT HAND DOOR -  
CWT. ON LEFT

DIMENSIONS AT TIGHTEST POINT	
A	
B	
C	
D	
E	
F	
G	
H	
J	
K	
L	
M	
N	
O	
P	
Q	
R	
S	
T	
U	
V	
W	
X	
Y	
Z	
AA	
AB	
AC	
AD	



RAIL DIMENSIONS		
	CAR	CWT.
BA		
BB		
BC		
LB./FT.		

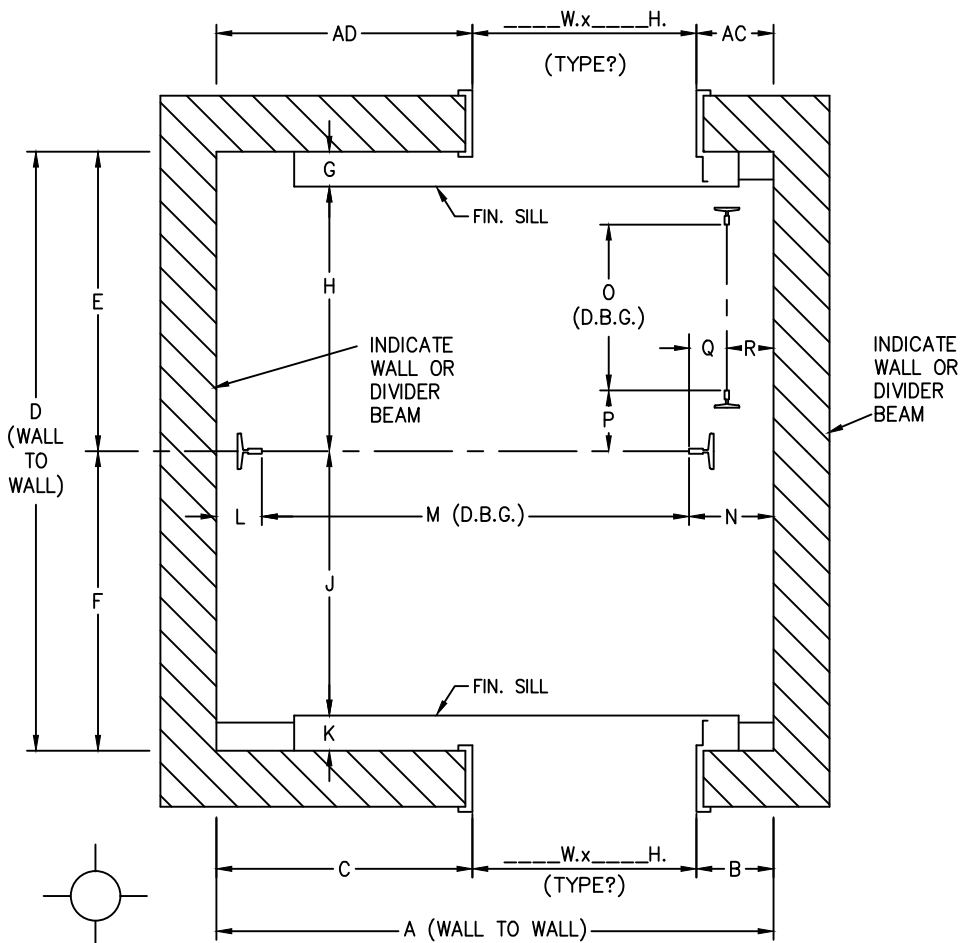
ELEV. CONTR. \_\_\_\_\_  
 JOB NAME \_\_\_\_\_  
 ELEVATOR NO. \_\_\_\_\_  
 JOB NO. \_\_\_\_\_ DATE \_\_\_\_\_

**ALLIANCE**  
 ELEVATOR SOLUTIONS

237 Oregon St., Mercersburg, PA 17236  
 P: 888-960-5596 • F: 717-498-0099  
 customerservice@allianceelevator.net  
 allianceelevator.net

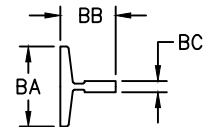
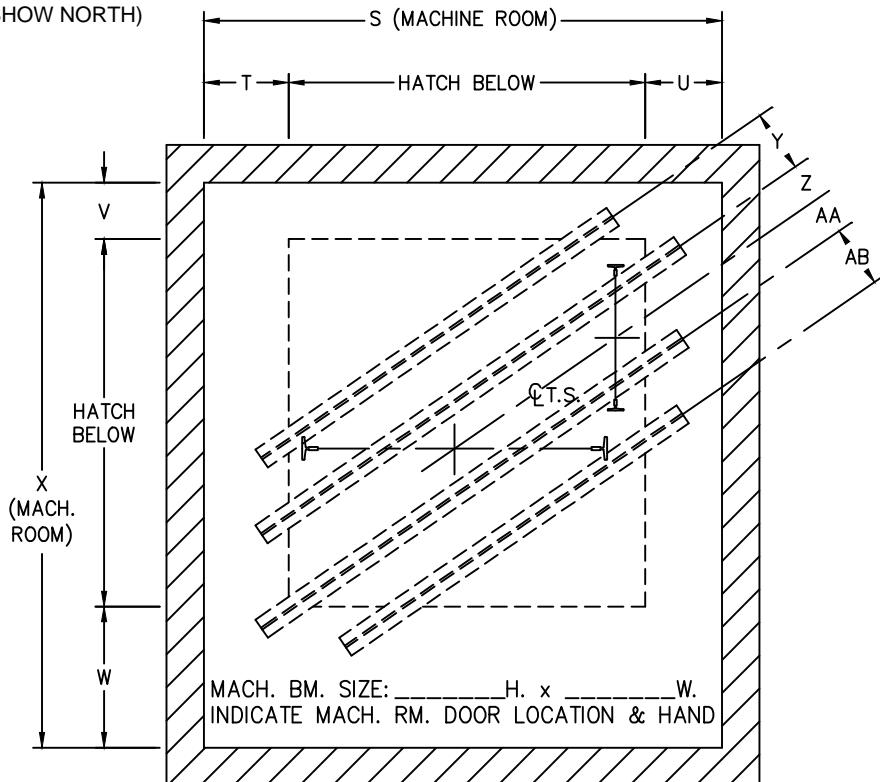
EXISTING SHAFT SURVEY (SHT. 10)

DOUBLE OPENING -  
RIGHT HAND DOOR -  
CWT. ON RIGHT



DIMENSIONS AT TIGHTEST POINT	
A	
B	
C	
D	
E	
F	
G	
H	
J	
K	
L	
M	
N	
O	
P	
Q	
R	
S	
T	
U	
V	
W	
X	
Y	
Z	
AA	
AB	
AC	
AD	

COMPASS  
(SHOW NORTH)



RAIL DIMENSIONS		
	CAR	CWT.
BA		
BB		
BC		
LB./FT.		

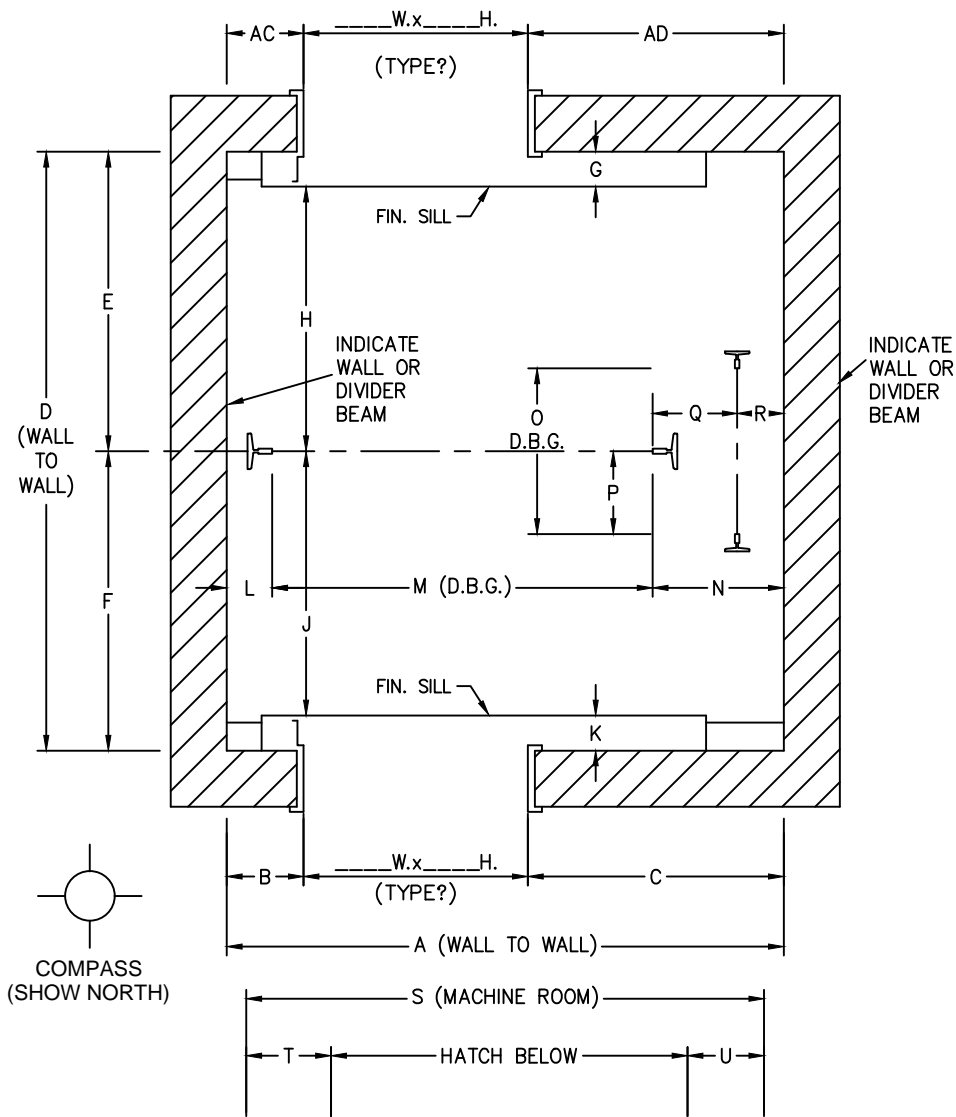
ELEV. CONTR. \_\_\_\_\_  
 JOB NAME \_\_\_\_\_  
 ELEVATOR NO. \_\_\_\_\_  
 JOB NO. \_\_\_\_\_ DATE \_\_\_\_\_

**ALLIANCE**  
ELEVATOR SOLUTIONS

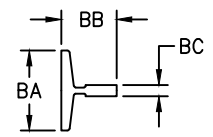
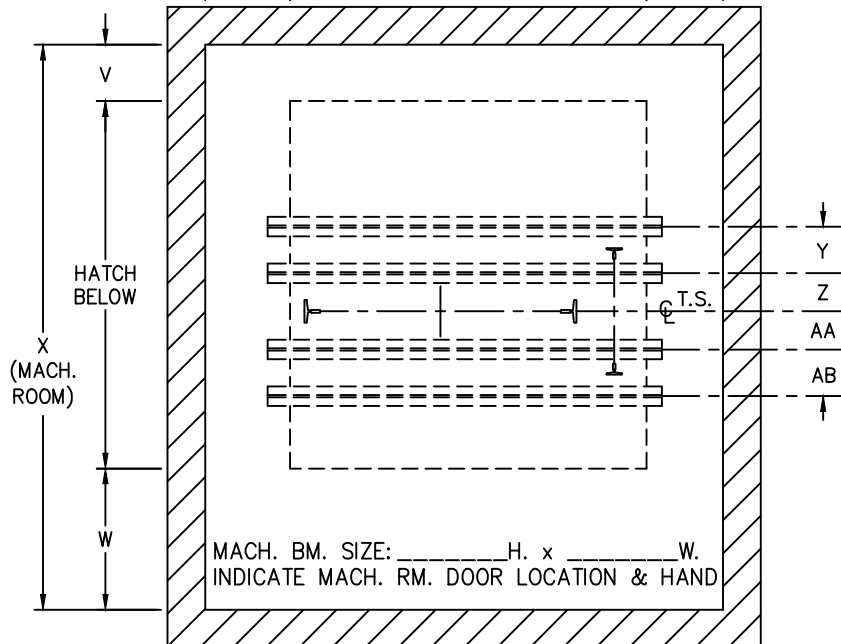
237 Oregon St., Mercersburg, PA 17236  
 P: 888-960-5596 • F: 717-498-0099  
 customerservice@alliancelevator.net  
 alliancelevator.net

EXISTING SHAFT SURVEY (SHT. 11)

DOUBLE OPENING -  
LEFT HAND DOOR -  
CWT. ON RIGHT



DIMENSIONS AT TIGHTEST POINT	
A	
B	
C	
D	
E	
F	
G	
H	
J	
K	
L	
M	
N	
O	
P	
Q	
R	
S	
T	
U	
V	
W	
X	
Y	
Z	
AA	
AB	
AC	
AD	



RAIL DIMENSIONS		
	CAR	CWT.
BA		
BB		
BC		
LB./FT.		

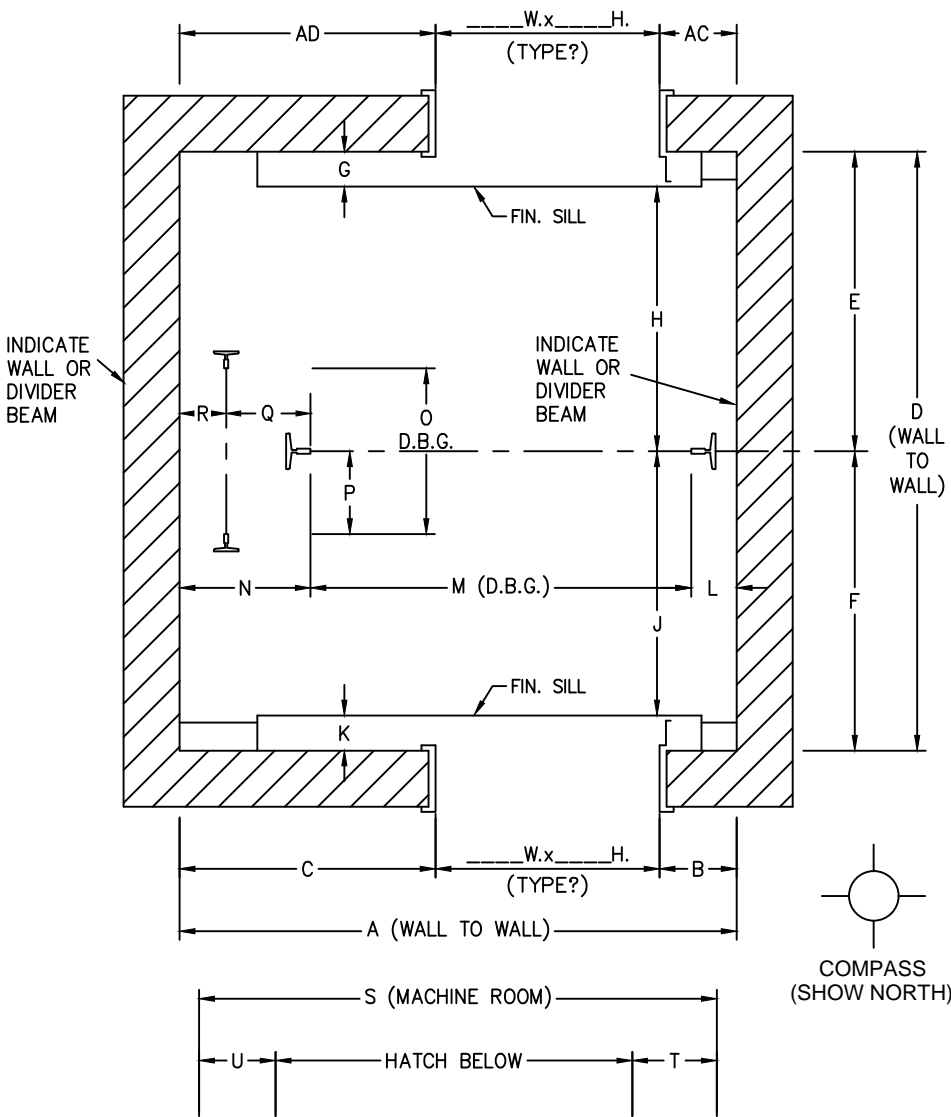
ELEV. CONTR. \_\_\_\_\_  
 JOB NAME \_\_\_\_\_  
 ELEVATOR NO. \_\_\_\_\_  
 JOB NO. \_\_\_\_\_ DATE \_\_\_\_\_

**ALLIANCE**  
 ELEVATOR SOLUTIONS

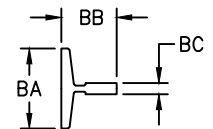
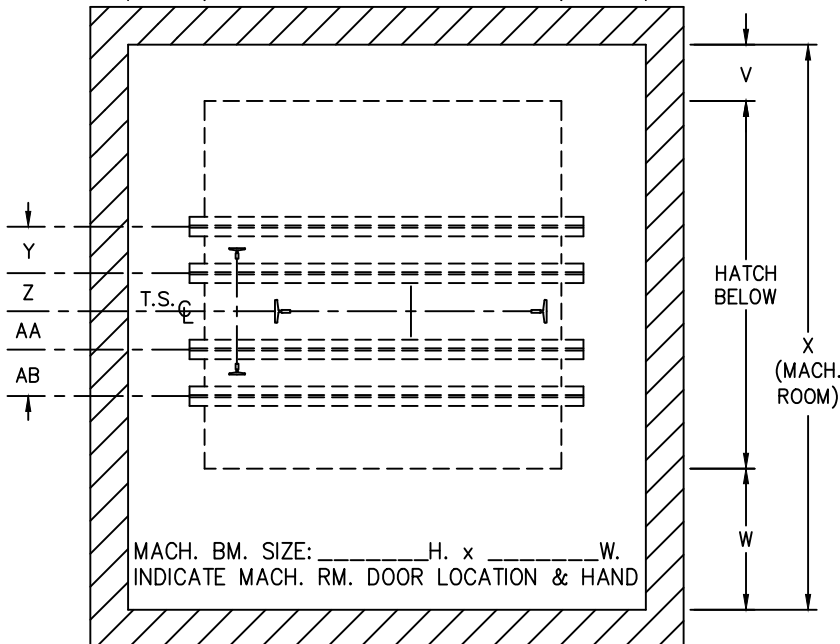
237 Oregon St., Mercersburg, PA 17236  
 P: 888-960-5596 • F: 717-498-0099  
 customerservice@allianceelevator.net  
 allianceelevator.net

EXISTING SHAFT SURVEY (SHT. 12)

DOUBLE OPENING -  
RIGHT HAND DOOR -  
CWT. ON LEFT



DIMENSIONS AT TIGHTEST POINT	
A	
B	
C	
D	
E	
F	
G	
H	
J	
K	
L	
M	
N	
O	
P	
Q	
R	
S	
T	
U	
V	
W	
X	
Y	
Z	
AA	
AB	
AC	
AD	



RAIL DIMENSIONS		
	CAR	CWT.
BA		
BB		
BC		
LB./FT.		

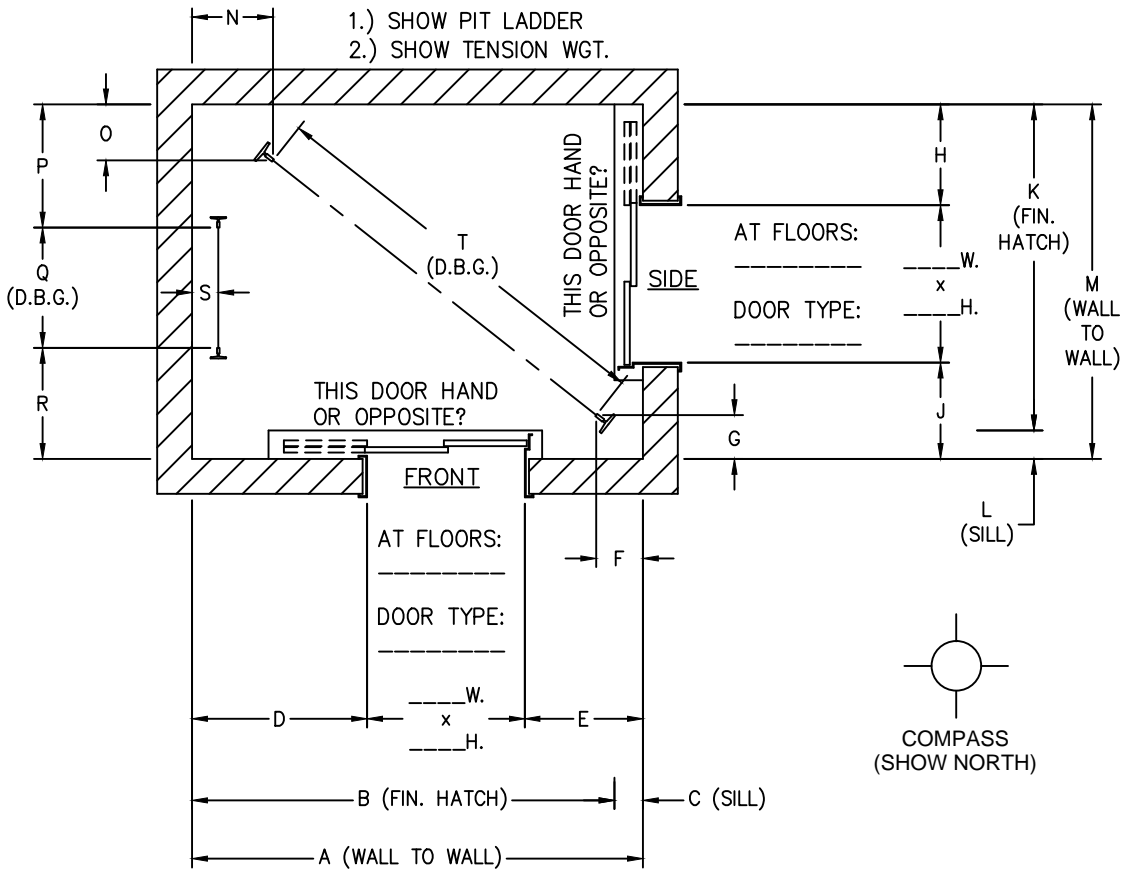
ELEV. CONTR. \_\_\_\_\_  
 JOB NAME \_\_\_\_\_  
 ELEVATOR NO. \_\_\_\_\_  
 JOB NO. \_\_\_\_\_ DATE \_\_\_\_\_

**ALLIANCE**  
 ELEVATOR SOLUTIONS

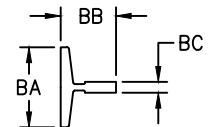
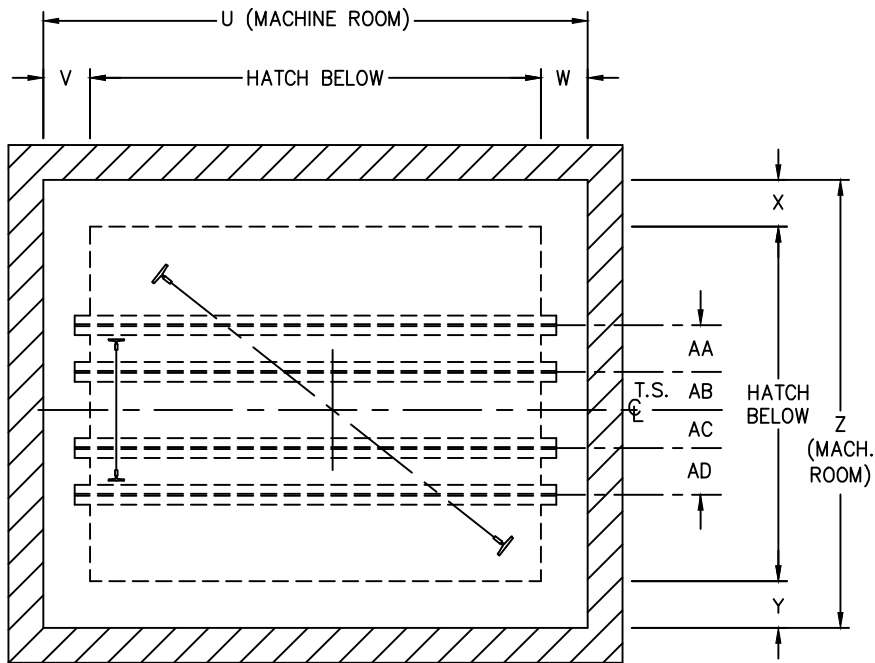
237 Oregon St., Mercersburg, PA 17236  
 P: 888-960-5596 • F: 717-498-0099  
 customerservice@allianceelevator.net  
 allianceelevator.net

EXISTING SHAFT SURVEY (SHT. 13)

CORNERPOST - FRONT AND RIGHT SIDE OPENINGS - CWT. ON LEFT



DIMENSIONS AT TIGHTEST POINT	
A	
B	
C	
D	
E	
F	
G	
H	
J	
K	
L	
M	
N	
O	
P	
Q	
R	
S	
T	
U	
V	
W	
X	
Y	
Z	
AA	
AB	
AC	
AD	



RAIL DIMENSIONS		
	CAR	CWT.
BA		
BB		
BC		
LB./FT.		

MACH. BM. SIZE: \_\_\_\_\_ H. x \_\_\_\_\_ W.  
INDICATE MACH. RM. DOOR LOCATION & HAND

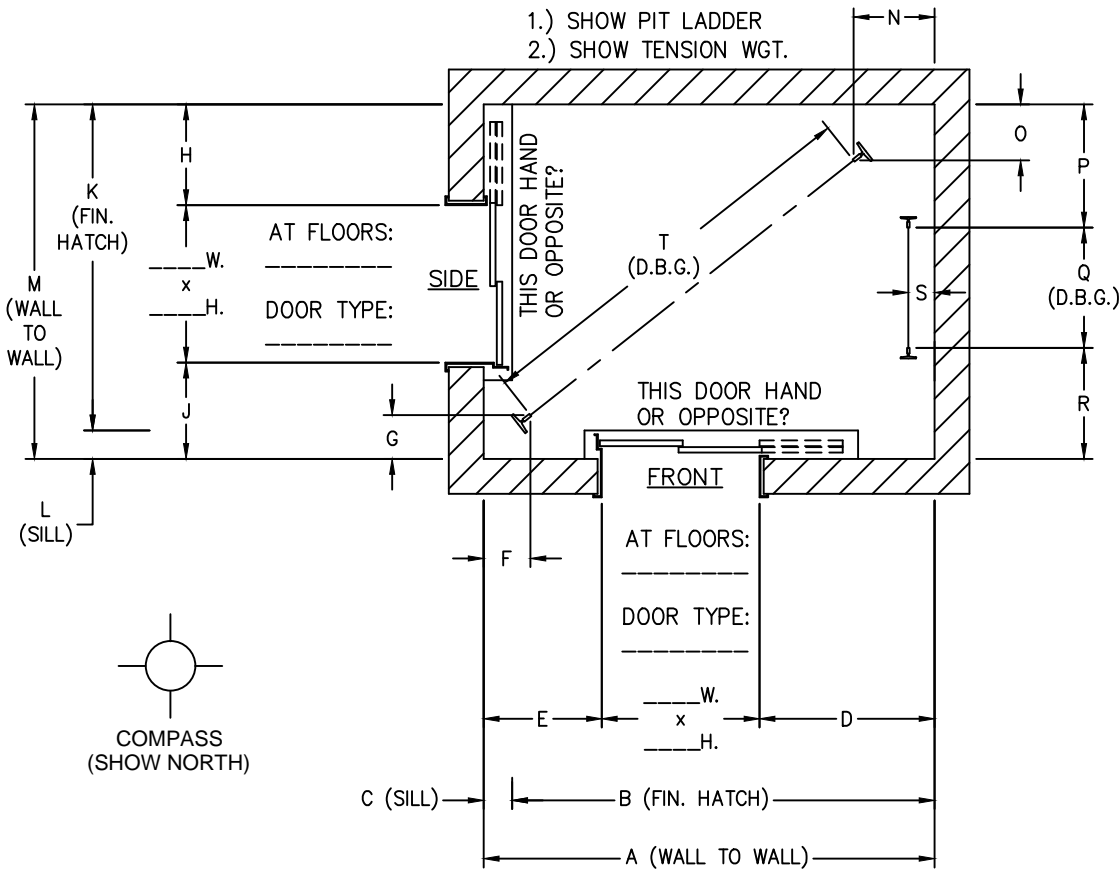
ELEV. CONTR. \_\_\_\_\_  
JOB NAME \_\_\_\_\_  
ELEVATOR NO. \_\_\_\_\_  
JOB NO. \_\_\_\_\_ DATE \_\_\_\_\_

**ALLIANCE**  
ELEVATOR SOLUTIONS

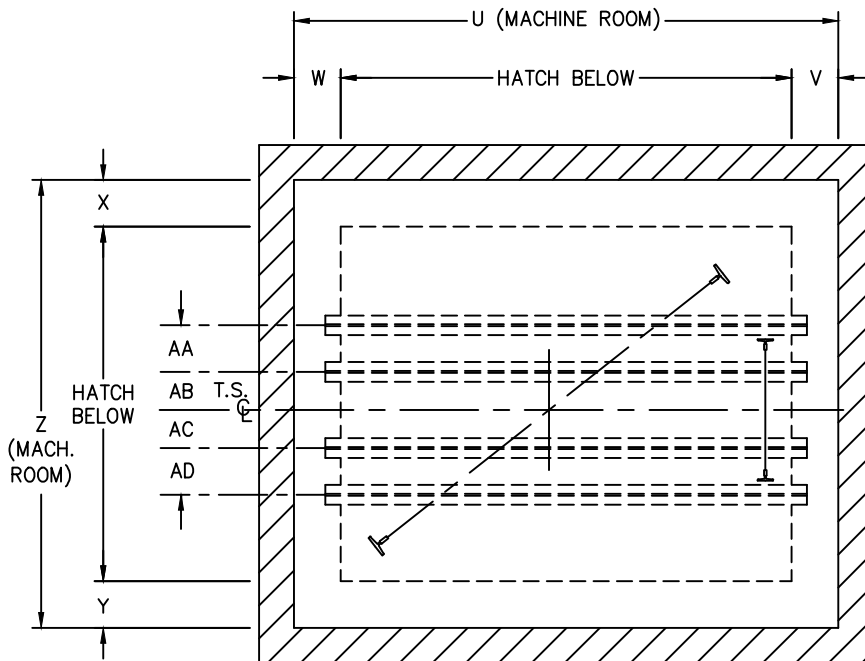
237 Oregon St., Mercersburg, PA 17236  
P: 888-960-5596 • F: 717-498-0099  
customerservice@allianceelevator.net  
allianceelevator.net

EXISTING SHAFT SURVEY (SHT. 14)

CORNERPOST - FRONT AND LEFT SIDE OPENINGS - CWT. ON RIGHT



DIMENSIONS AT TIGHTEST POINT	
A	
B	
C	
D	
E	
F	
G	
H	
J	
K	
L	
M	
N	
O	
P	
Q	
R	
S	
T	
U	
V	
W	
X	
Y	
Z	
AA	
AB	
AC	
AD	



MACH. BM. SIZE: \_\_\_\_\_ H. x \_\_\_\_\_ W.  
INDICATE MACH. RM. DOOR LOCATION & HAND

RAIL DIMENSIONS		
	CAR	CWT.
BA		
BB		
BC		
LB./FT.		

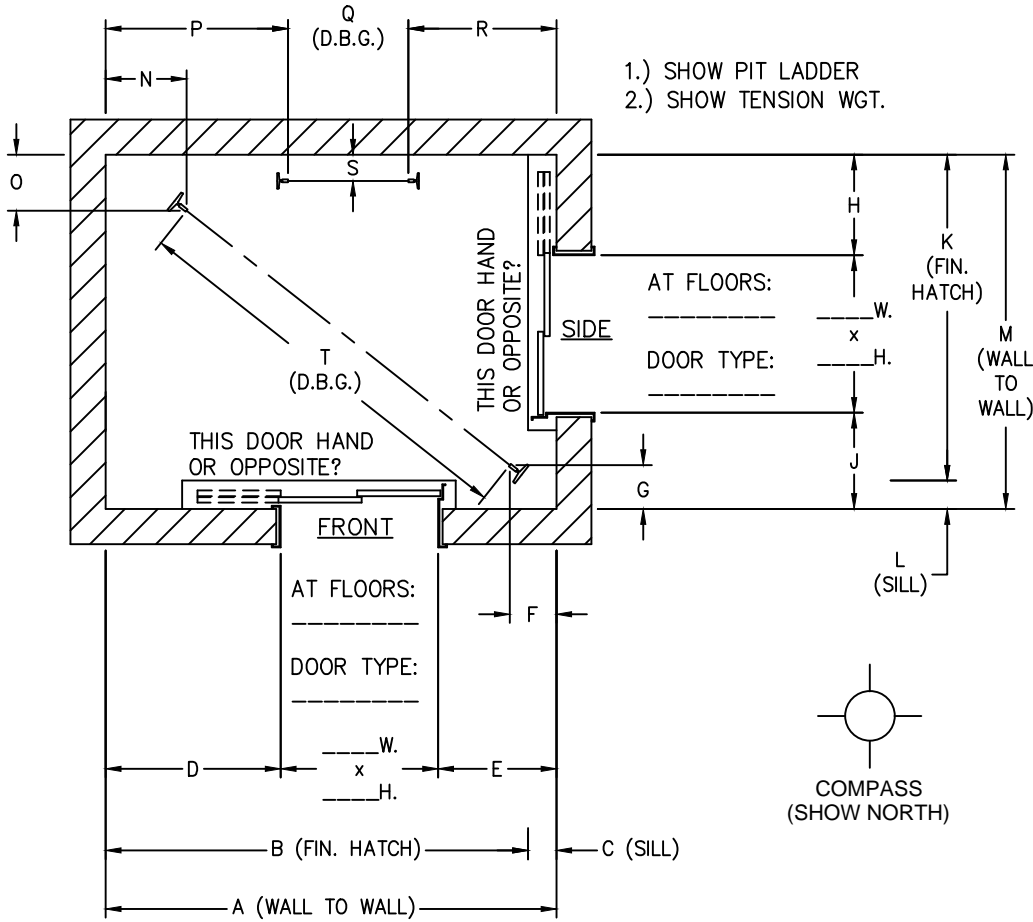
ELEV. CONTR. \_\_\_\_\_  
 JOB NAME \_\_\_\_\_  
 ELEVATOR NO. \_\_\_\_\_  
 JOB NO. \_\_\_\_\_ DATE \_\_\_\_\_

**ALLIANCE**  
 ELEVATOR SOLUTIONS

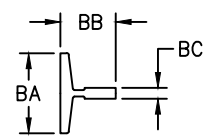
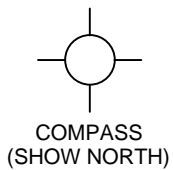
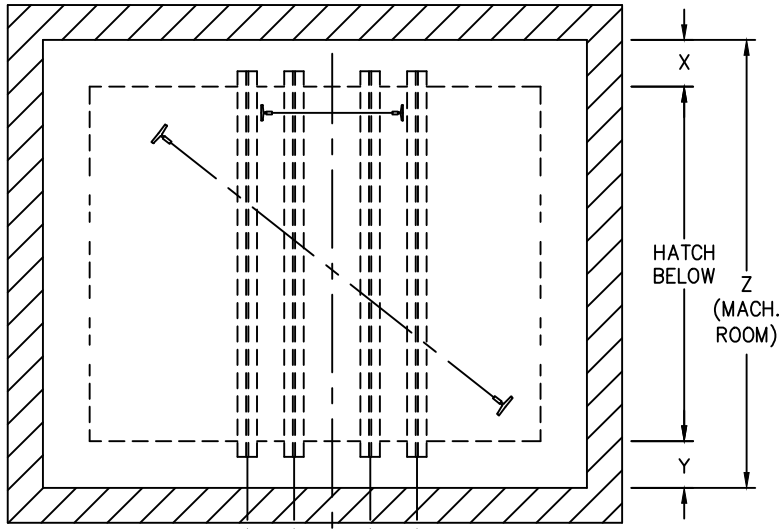
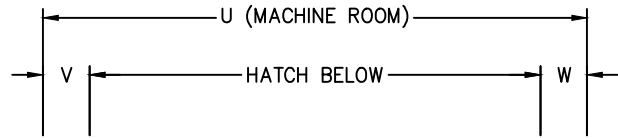
237 Oregon St., Mercersburg, PA 17236  
 P: 888-960-5596 • F: 717-498-0099  
 customerservice@alliancelevator.net  
 allianceelevator.net

EXISTING SHAFT SURVEY (SHT. 15)

CORNERPOST - FRONT AND RIGHT SIDE OPENINGS - CWT. AT REAR



DIMENSIONS AT TIGHTEST POINT	
A	
B	
C	
D	
E	
F	
G	
H	
J	
K	
L	
M	
N	
O	
P	
Q	
R	
S	
T	
U	
V	
W	
X	
Y	
Z	
AA	
AB	
AC	
AD	



RAIL DIMENSIONS		
	CAR	CWT.
BA		
BB		
BC		
LB./FT.		

MACH. BM. SIZE: \_\_\_\_\_ H. x \_\_\_\_\_ W.  
 INDICATE MACH. RM. DOOR LOCATION & HAND

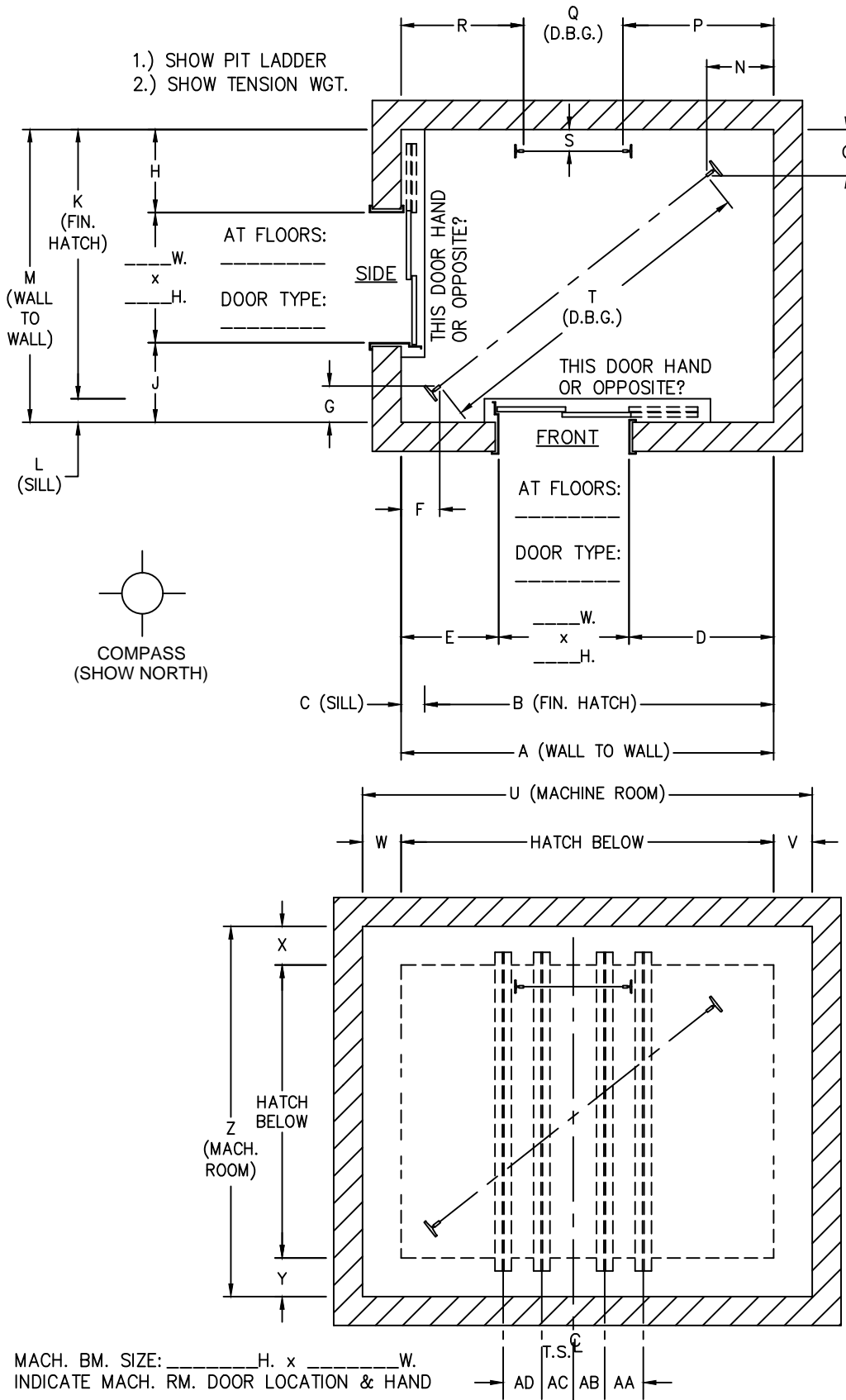
ELEV. CONTR. \_\_\_\_\_  
 JOB NAME \_\_\_\_\_  
 ELEVATOR NO. \_\_\_\_\_  
 JOB NO. \_\_\_\_\_ DATE \_\_\_\_\_



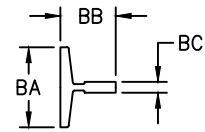
237 Oregon St., Mercersburg, PA 17236  
 P: 888-960-5596 • F: 717-498-0099  
 customerservice@allianceelevator.net  
 allianceelevator.net

EXISTING SHAFT SURVEY (SHT. 16)

CORNERPOST - FRONT AND LEFT SIDE OPENINGS - CWT. AT REAR



DIMENSIONS AT TIGHTEST POINT	
A	
B	
C	
D	
E	
F	
G	
H	
J	
K	
L	
M	
N	
O	
P	
Q	
R	
S	
T	
U	
V	
W	
X	
Y	
Z	
AA	
AB	
AC	
AD	



RAIL DIMENSIONS		
	CAR	CWT.
BA		
BB		
BC		
LB./FT.		

ELEV. CONTR. \_\_\_\_\_  
 JOB NAME \_\_\_\_\_  
 ELEVATOR NO. \_\_\_\_\_  
 JOB NO. \_\_\_\_\_ DATE \_\_\_\_\_

**ALLIANCE**  
 ELEVATOR SOLUTIONS

237 Oregon St., Mercersburg, PA 17236  
 P: 888-960-5596 • F: 717-498-0099  
 customerservice@allianceelevator.net  
 allianceelevator.net